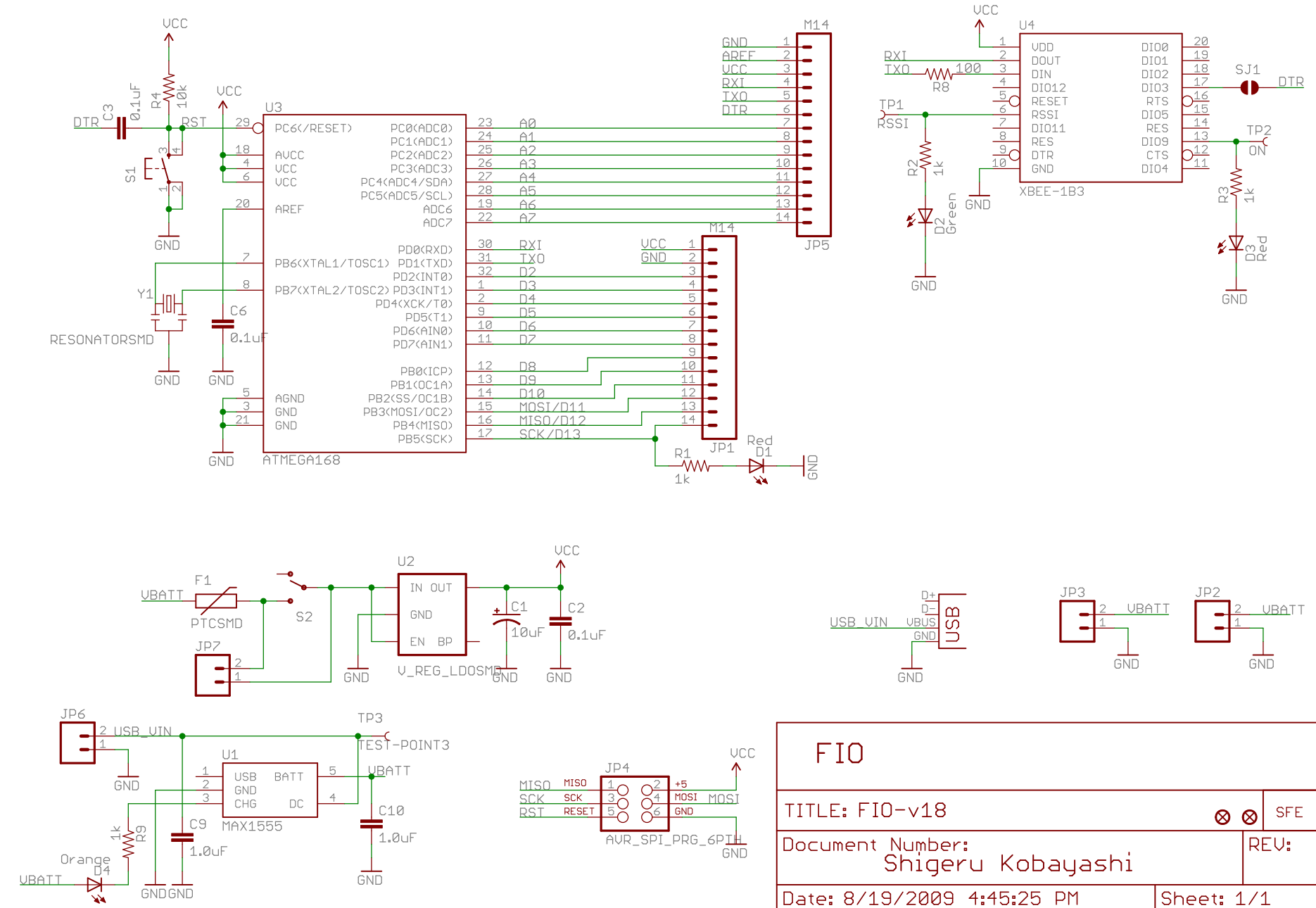


Original design (LilyPad Arduino v1.6) by L. Buechley and N. Seidle
 Released under the Creative Commons Attribution Share-Alike 3.0 License
<http://creativecommons.org/licenses/by-sa/3.0>
 Design by: S. Kobayashi and N. Seidle



FIO	
TITLE: FIO-v18	
SFE	
Document Number: Shigeru Kobayashi	
REV:	
Date: 8/19/2009 4:45:25 PM	Sheet: 1/1