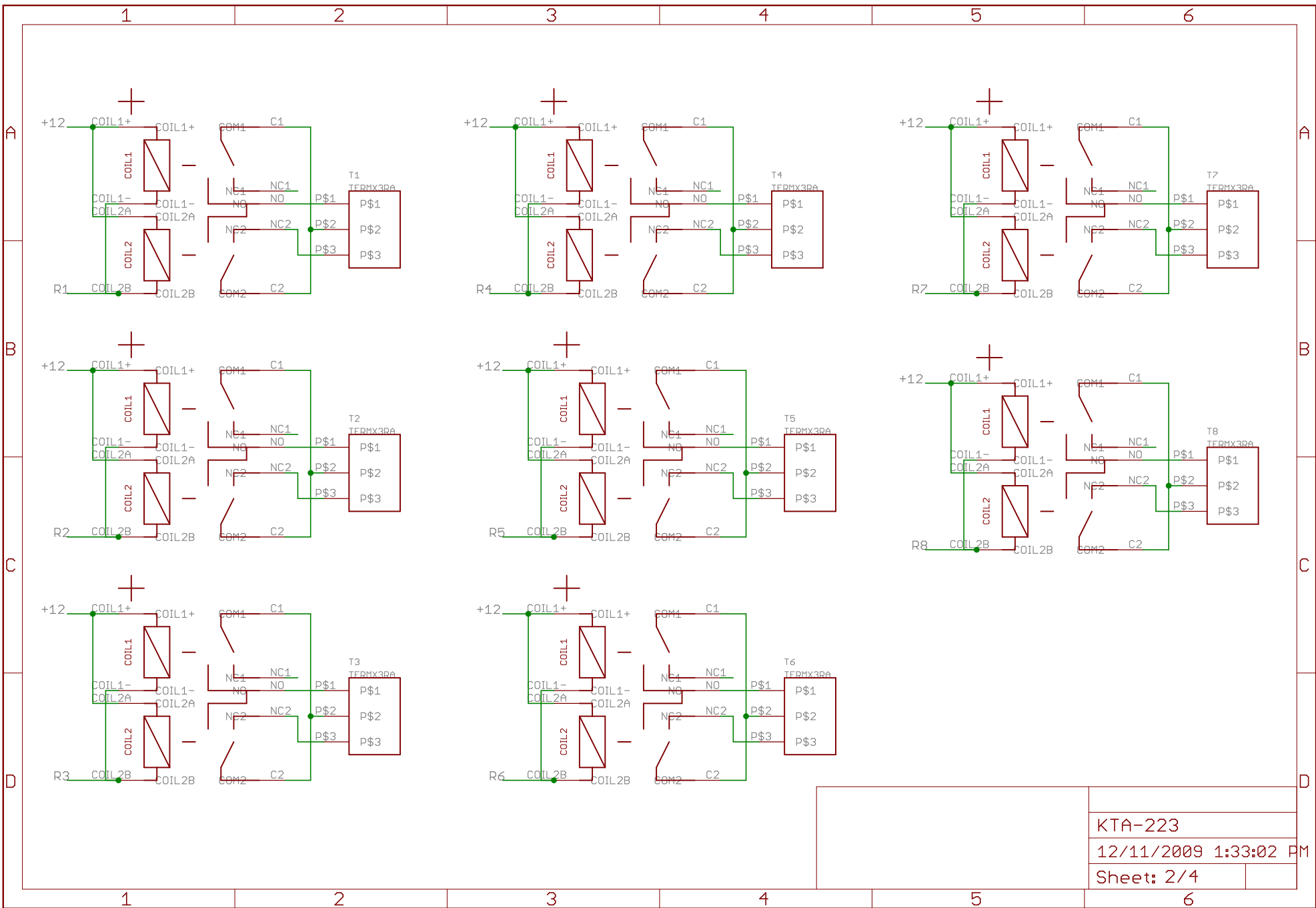
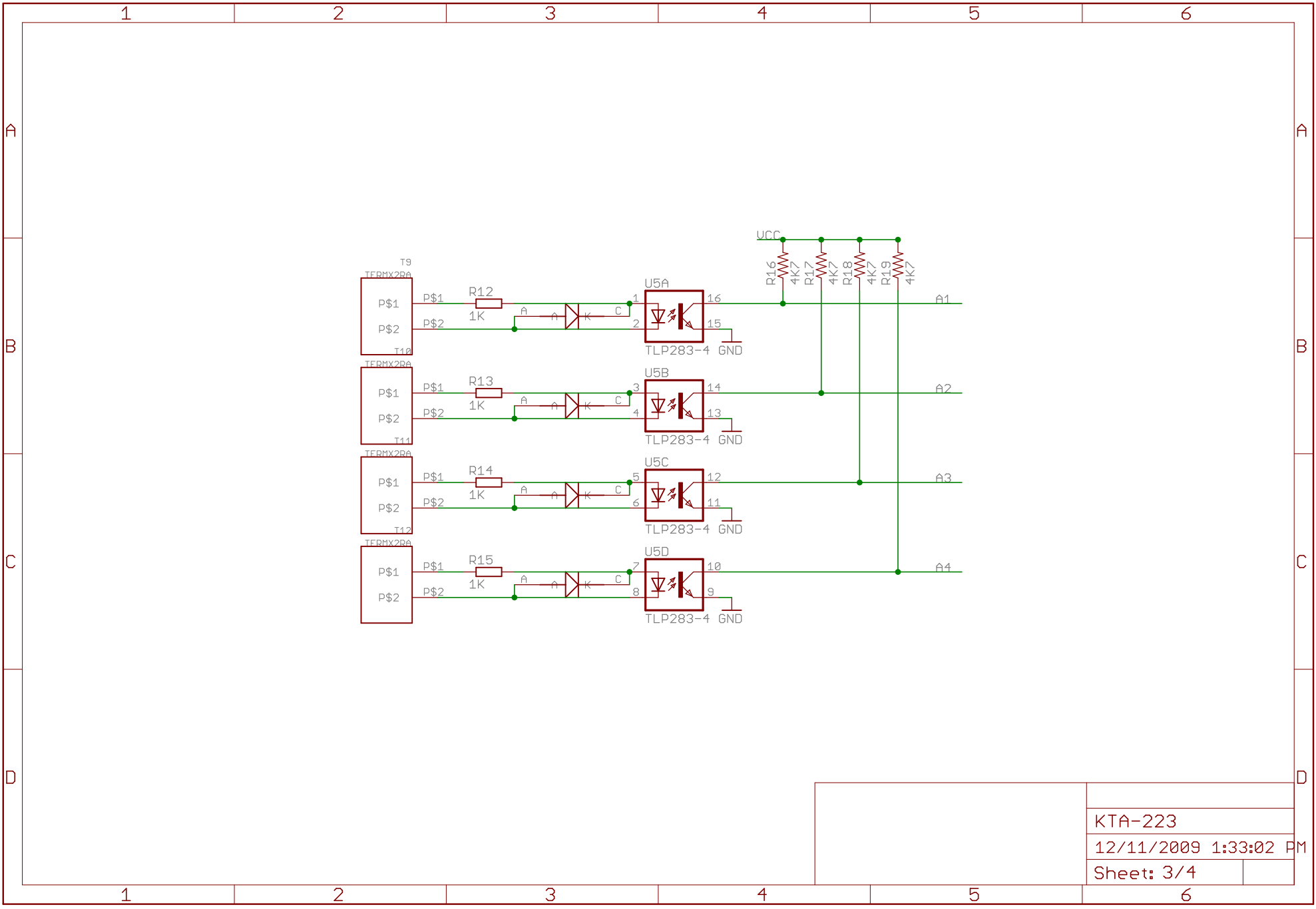


OCLOGO AUSLOGO OCLOGO

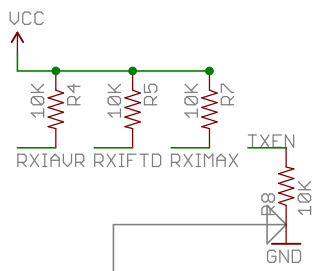
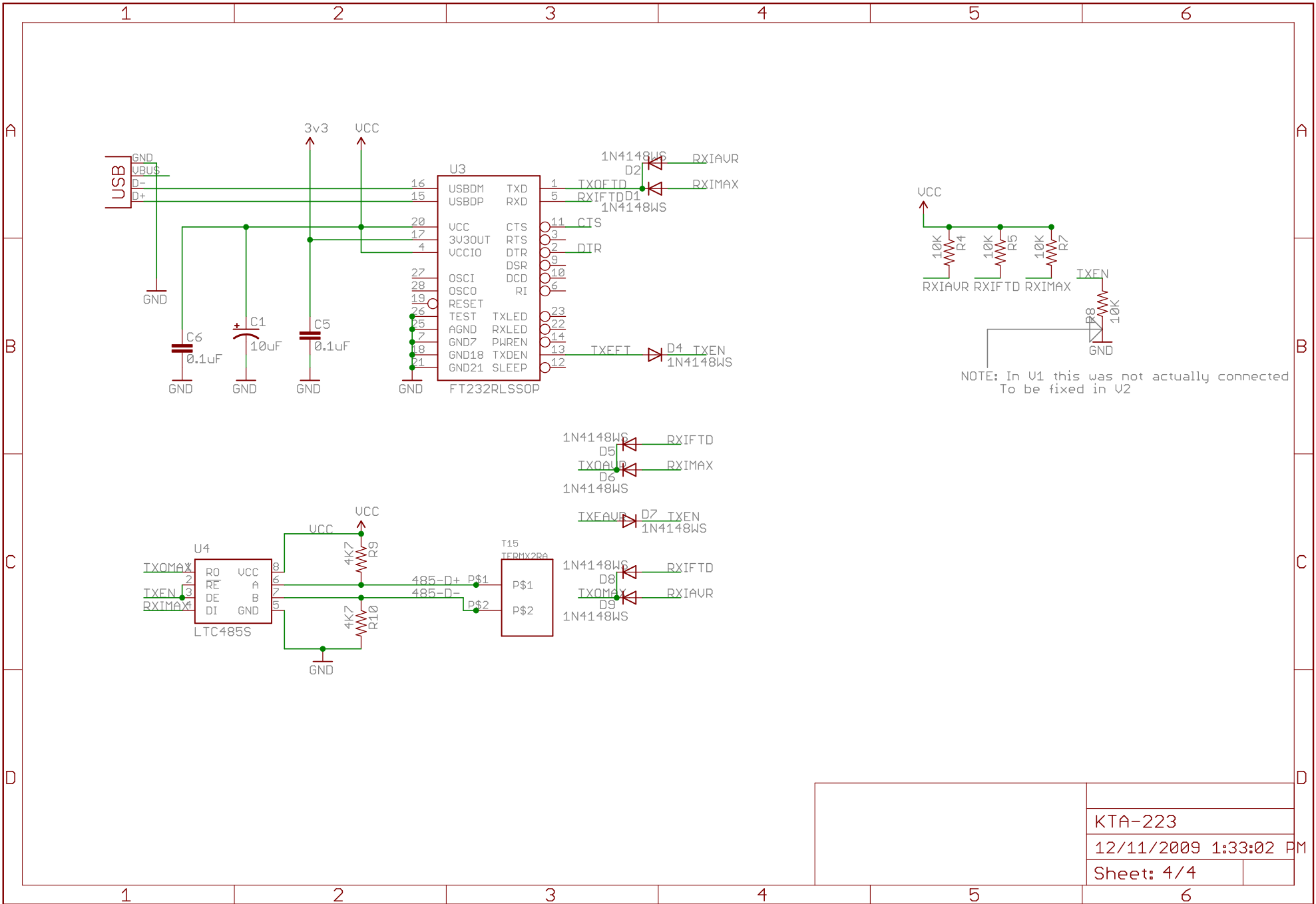
KTA-223
 12/11/2009 1:33:02 PM
 Sheet: 1/4



KTA-223	
12/11/2009 1:33:02 PM	
Sheet: 2/4	



KTA-223	
12/11/2009 1:33:02 PM	
Sheet: 3/4	



NOTE: In U1 this was not actually connected
To be fixed in U2