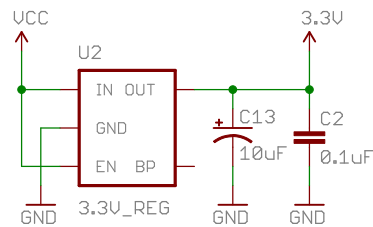
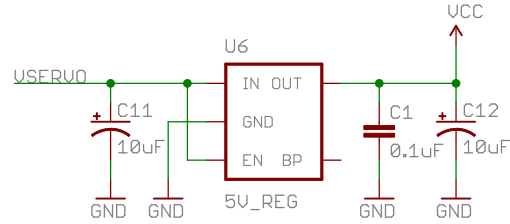
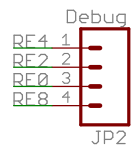
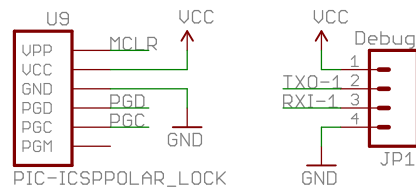


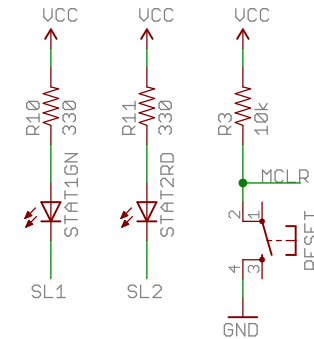
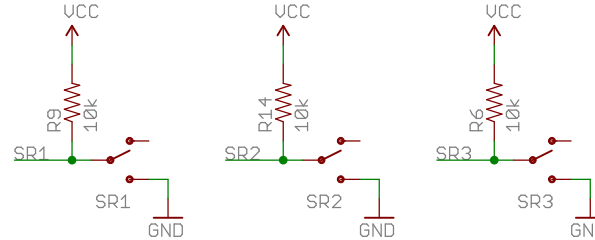
VOLTAGE REGULATION



PORTS

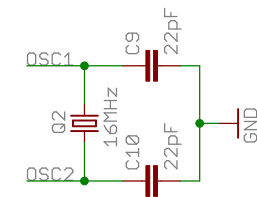
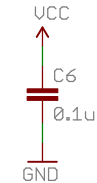


SWITCHES & LEDS



CPU

U8		DSPIC30F4011	
MCLR	18	MCLR	18
3.3V	19	AVDD	17
ZRATE	20	AVSS	16
XRATE	21	RB0/AREF+	15
YRATE	22	RB1/AREF-	14
I1	23	RB2	11
I2	24	RB3	10
XACCFI	25	RB4/IC7	9
YACCFI	26	RB5/IC8	8
ZACCFI	27	RB6	40
UCC	7	RB7	39
GND	6	RB8	38
OSC1	30	UDD0	RF0
OSC2	31	VSS0	RF1
TXD-1	32	RF4/RX2	3
RXI-1	35	RF5/TX2	2
RF8	36	RC13/TX1	1
I3	37	PGC/SDA	44
SR1	38	PGD/SCL	43
GND	29	INT0/RE8	42
		OC2/RD1	41
		OC1/RD0	28
		RD3	RD2
		VSS1	UDD1



Released under the Creative Commons Attribution Share-Alike 3.0 License
<http://creativecommons.org/licenses/by-sa/3.0>
 Design by:



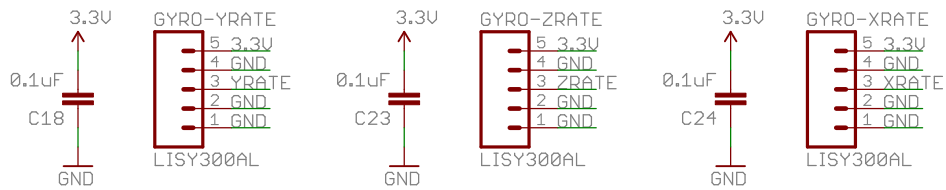
Firmware Developed by
 William Premerlani, Ph.D

Hardware Developed by
 A. Weiss

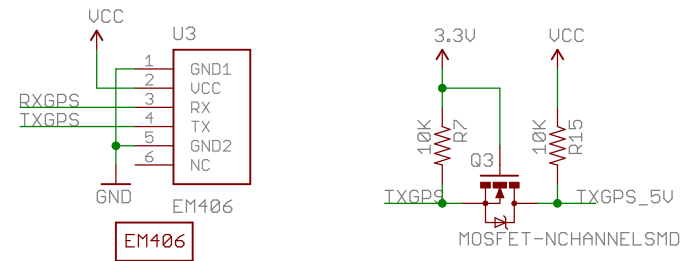
UAV Development Platform

TITLE: UAV_v29	SFE
Document Number:	REV:
Date: 5/7/2009 12:33:57 AM	Sheet: 1/2

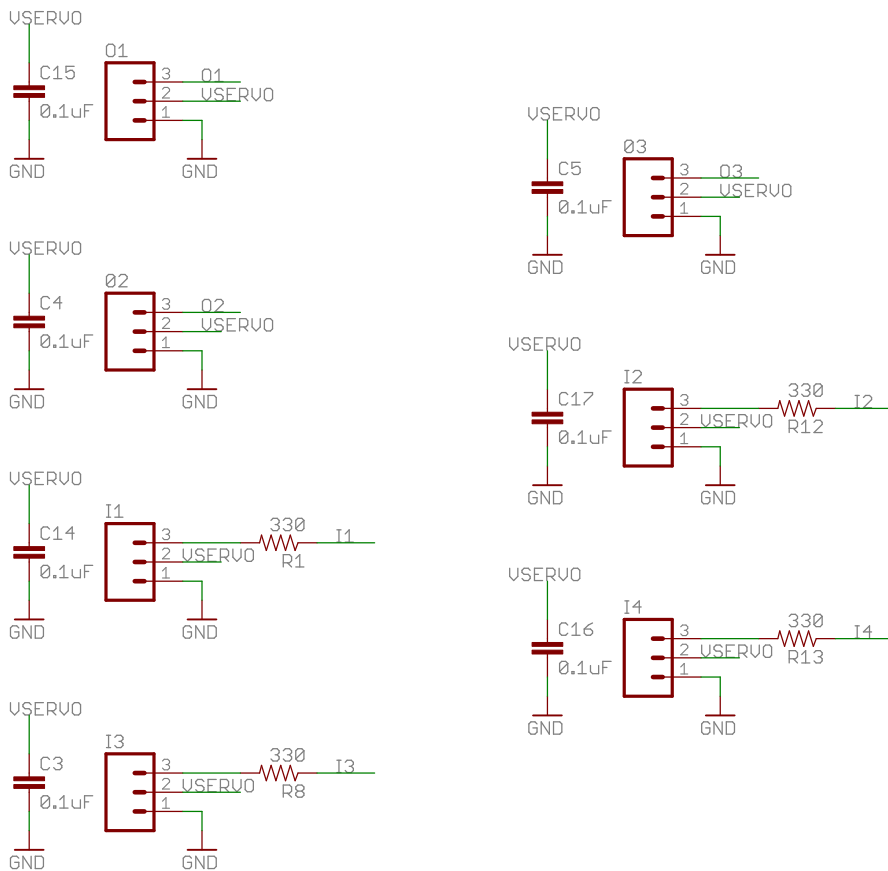
GYROS



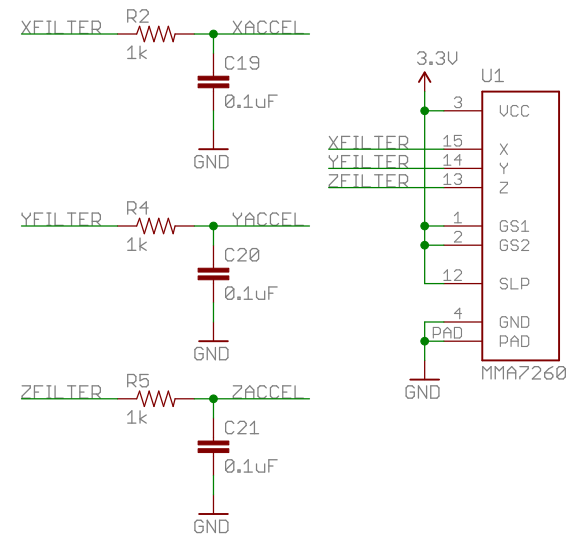
GPS



SERVOS



ACCELEROMETER



UAV Development Platform

TITLE: UAV_v29

Document Number:

REV:

Date: 5/7/2009 12:33:57 AM

Sheet: 2/2