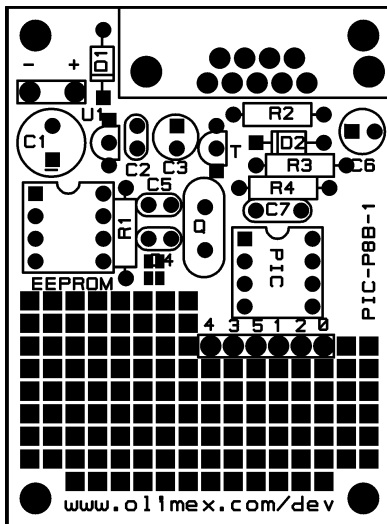


## PIC-P8-x PROTOTYPE BOARD FOR 8 PIN PIC MICROCONTROLLERS

### Features:

PIC-P8-x is prototype board for 8 pin PIC microcontrollers with following features:

- RS232 Tx and Rx interface circuit
- 4MHz ceramic resonator
- extension slot on each microcontroller pin
- DIL8 microcontroller socket
- I2C EEPROM memory 24LC08
- power supply connector
- +5V power supply voltage regulator
- 0.1" (2.54 mm) grid
- dimensions: PIC-P8-1 58x43 mm;  
PIC-P8-2 81x43 mm; PIC-P8-3 81x58 mm
- four mounting holes



### EEPROM memory interface:

SDA connected to GP4 via jumper pads.  
SCL connected to GP5 via jumper pads.

### RS232 interface:

GP0 is connected to Tx.  
GP1 is connected to Rx.

### Oscillator circuit:

4Mhz ceramic resonator connected to GP4,GP5.

### Supported devices:

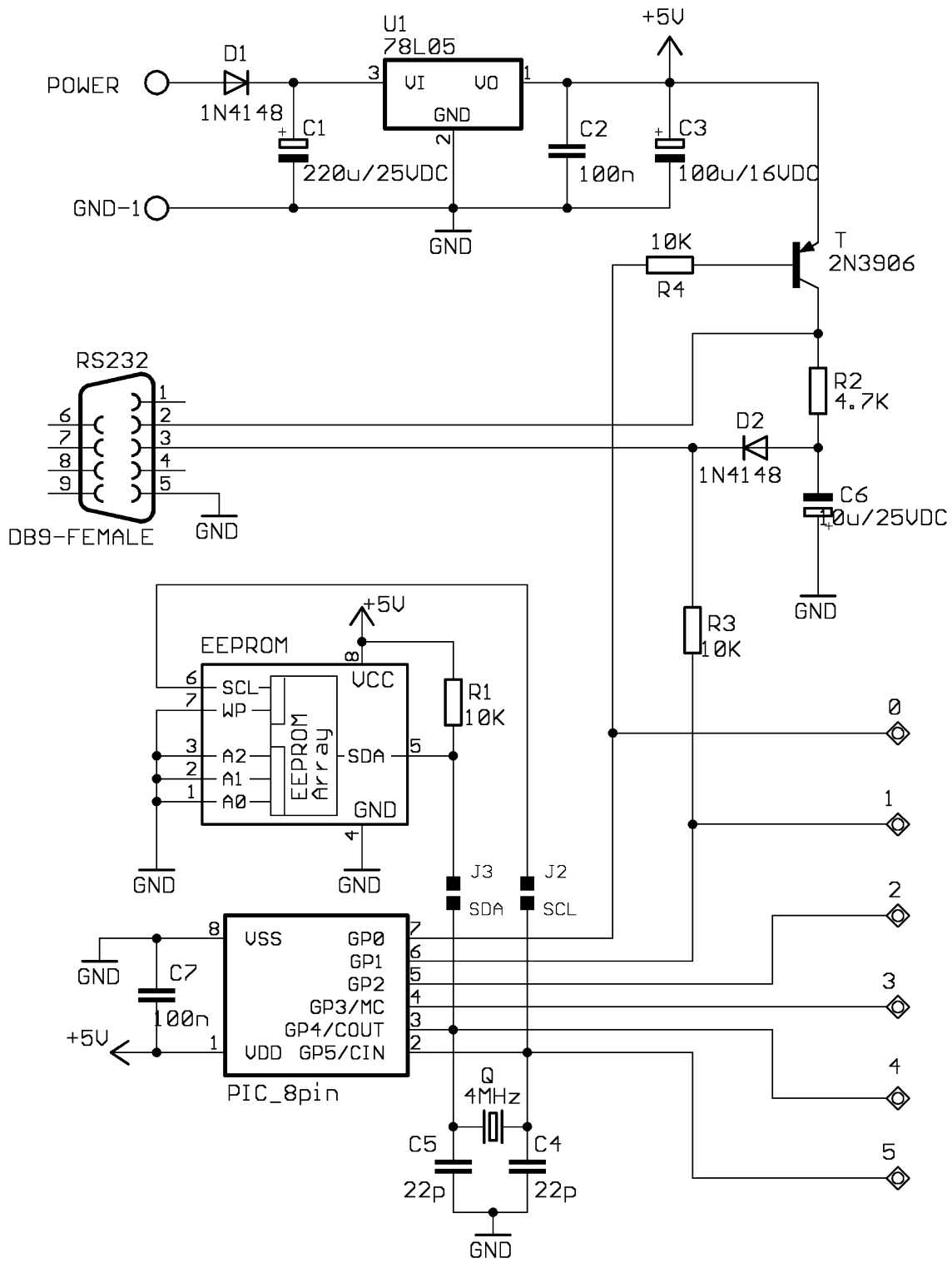
All 8 pin PIC microcontrollers.

### Power supply:

The power supply should be in range +7.5  
+18VDC.

### Ordering codes:

PIC-P8-1	- assembled and tested
PIC-P8-1/PCB	- only PCB
PIC-P8-2	- assembled and tested
PIC-P8-2/PCB	- only PCB
PIC-P8-3	- assembled and tested
PIC-P8-3/PCB	- only PCB



Copyright (C) 2002 OLIMEX Ltd

<http://www.olimex.com/dev>