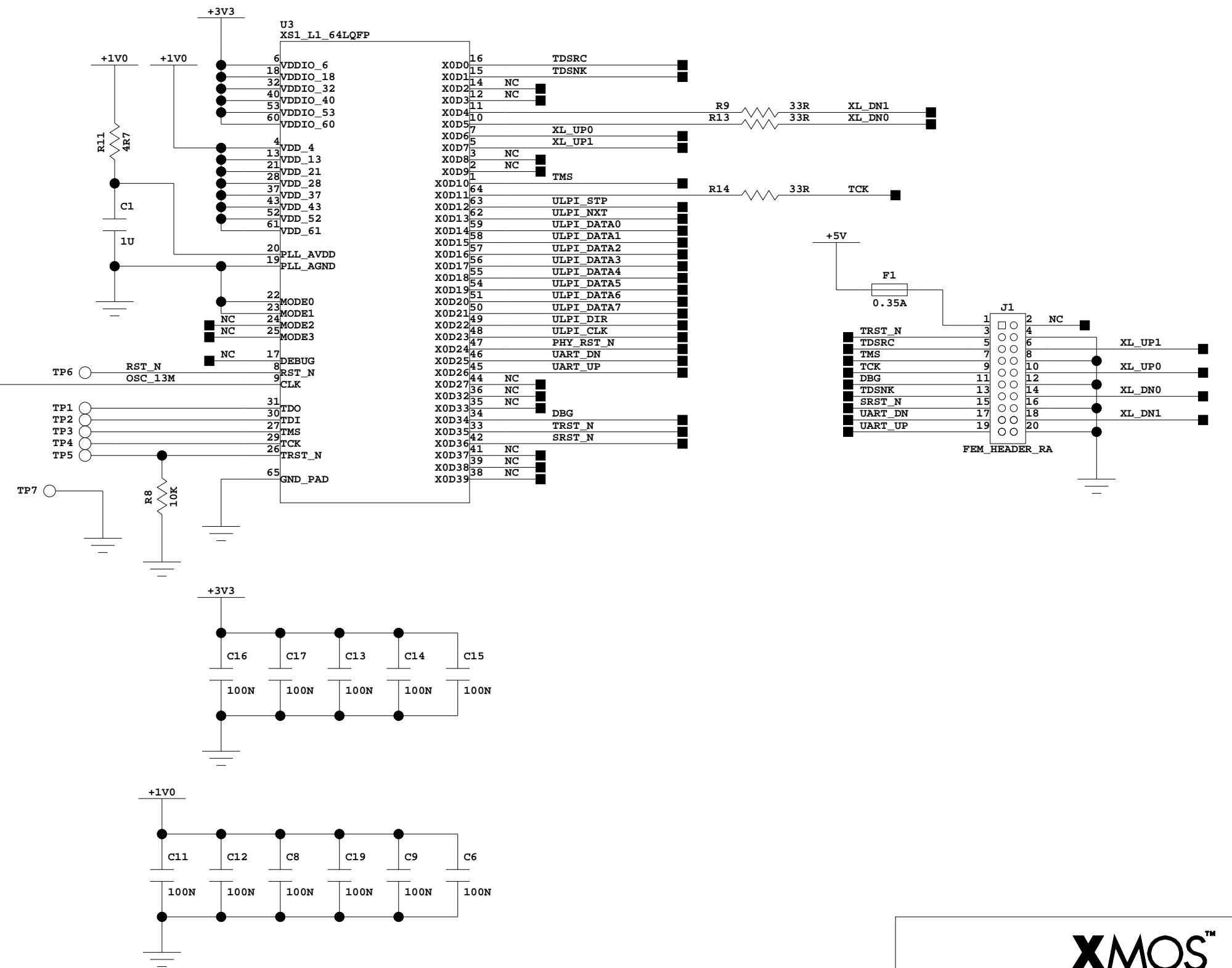
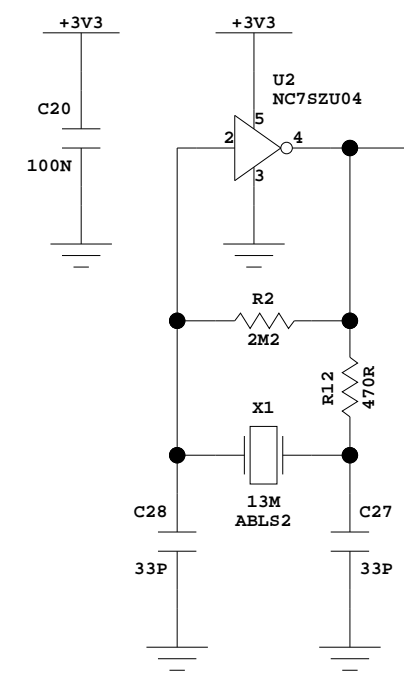
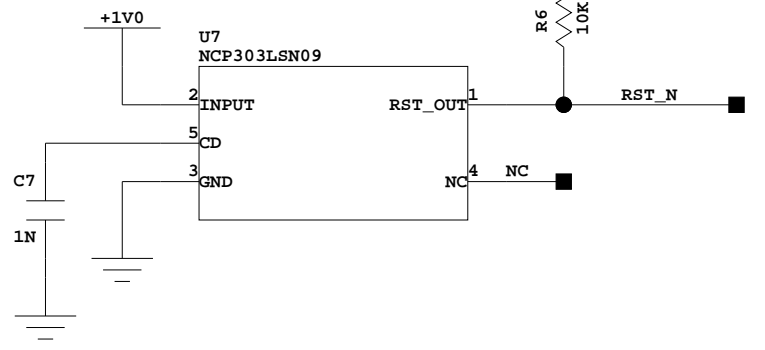
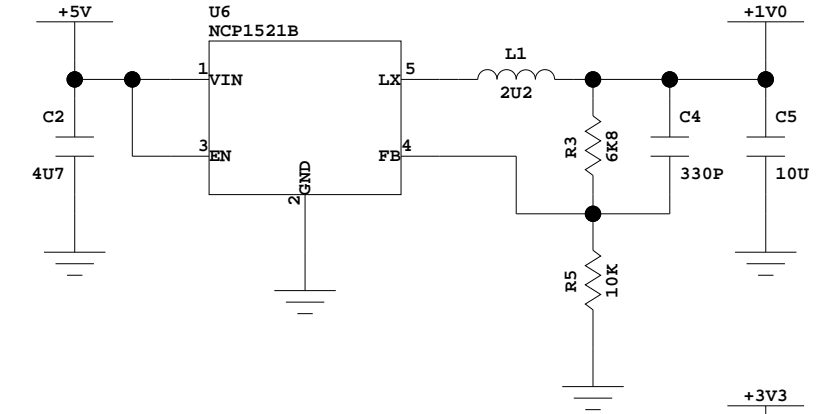
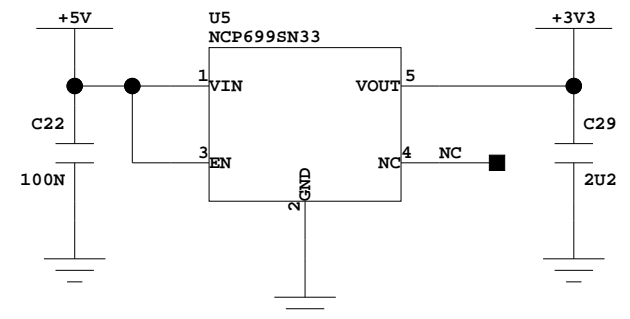
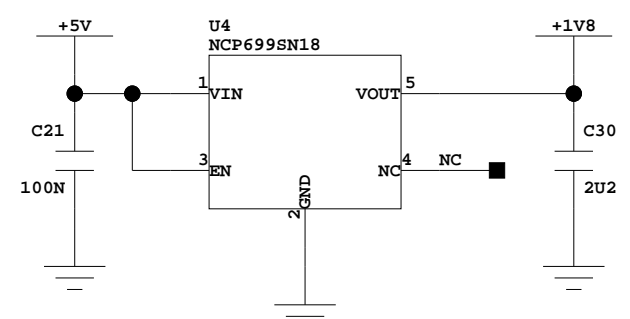


FM1
FM2
FM3

MODE[1:0] = 00 ==> PLL_MULT = 30.75 ==> 13MHZ REFBCLK
MODE[3:2] = 11 ==> BOOT FROM SPI



XMOS™

Copyright (c) 2009 XMOS Ltd.

PROJECT NAME

XTAG2

SIZE	SHEET NAME	REV
A2	TOP_LEVEL	A
DATE	SEPT 14 2009	SHEET 1 OF 1