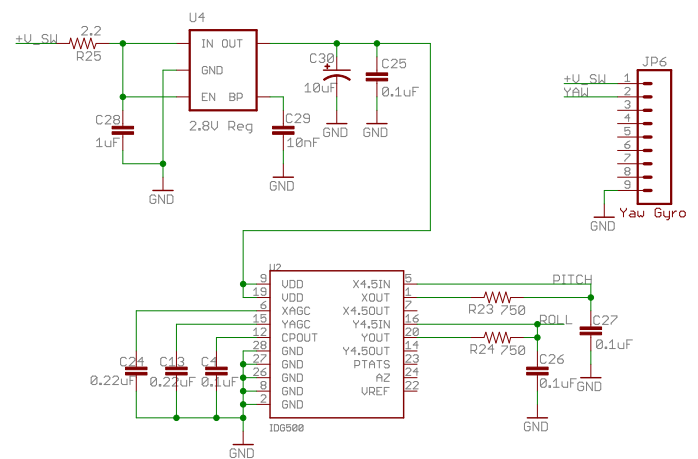
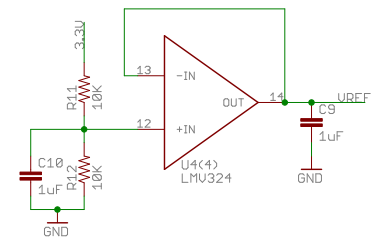


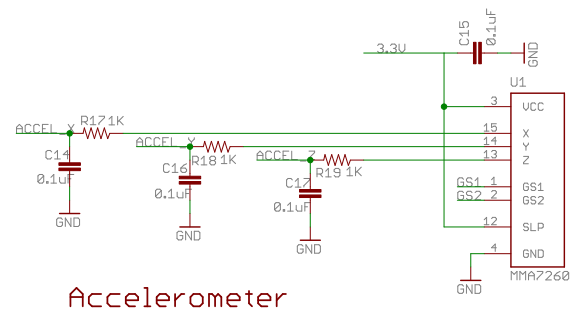
Power Section



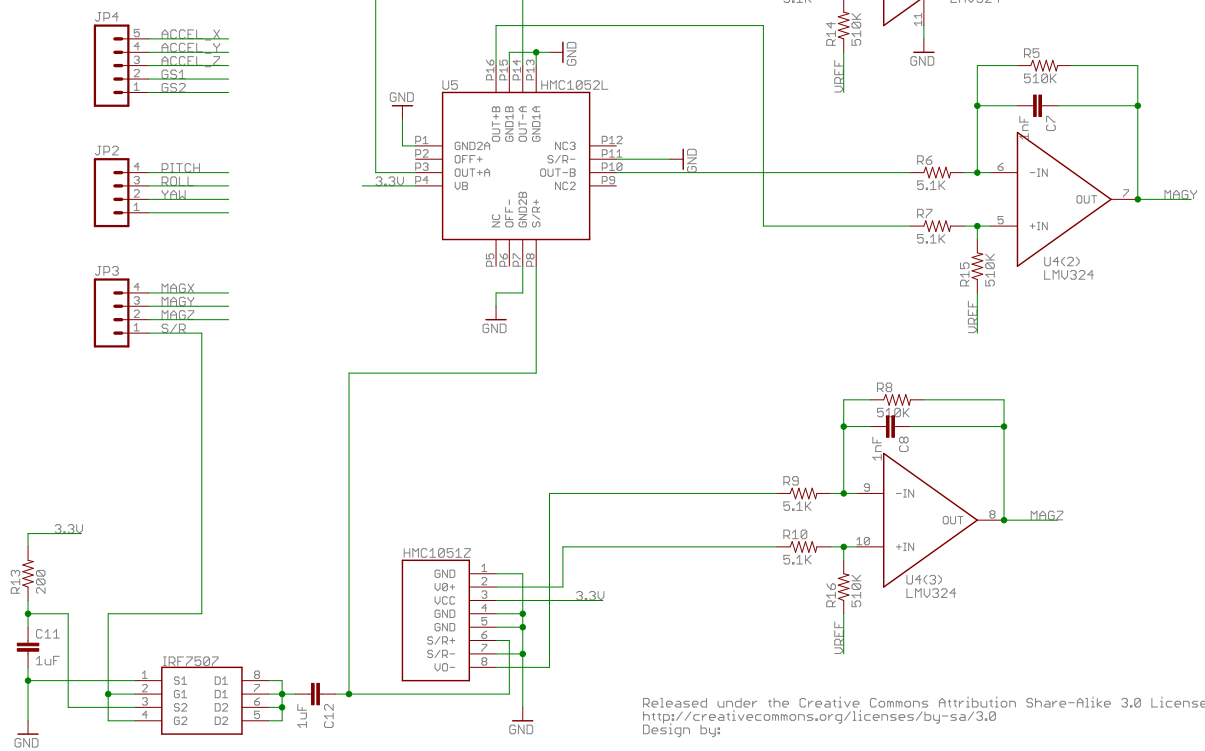
Gyros



Reference Voltage Amplifier



Accelerometer



Magnetic sensors, ports and amps

Released under the Creative Commons Attribution Share-Alike 3.0 License  
<http://creativecommons.org/licenses/by-sa/3.0>  
 Design by:

|   |   |                                 |
|---|---|---------------------------------|
| ⊗ | ⊙ | Title: 6DOF U4 Sensor Board-v13 |
| ⊗ | ⊙ | Version:                        |
| ⊗ | ⊙ | 7/20/2009 2:20:34 PM            |
| ⊗ | ⊙ | SFE                             |
|   |   | Drawn By:                       |
|   |   | 1/1                             |