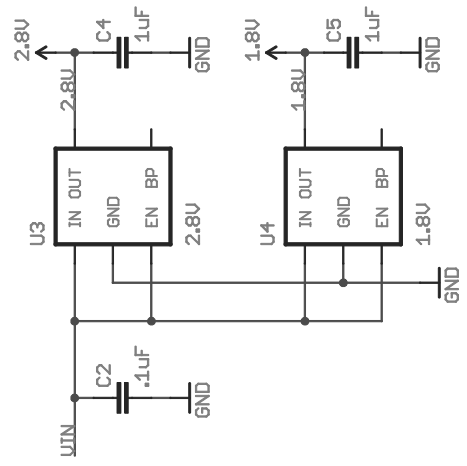


FP	5	RESET	26	ANTI
	23	SPI_CS		
	6	SPI_CLK		
	2	SPI_MOSI		
	24	SPI_MISO		
	19	PIO_2/CONNECT		
	20	PIO_3/INT		
	22	PIO_4/FACRST		
	21	PIO_5/STATUS		
	3	PIO_6		
	4	PIO_7		
	7	CD		
	8	PCM_CLK		
	9	PCM_SYNC		
	10	PCM_IN		
	13	PCM_OUT		
	14	RX		
	14	UART_RX		
	15	TX		
	15	UART_TX		
	16	RTS		
	16	UART_RTS		
	16	CTS		
	16	UART_CTS		
	11	UIN		
	29	VCC		
	28	GND		
	27	GND		
	27	GND		
	25	GND		
	12	GND		
	1	GND		



XXXXXX

Spark Fun Electronics	
TITLE:	
Document Number:	
Date: 10/01/2007 07:18:15a	Sheet: 1/1

REV: