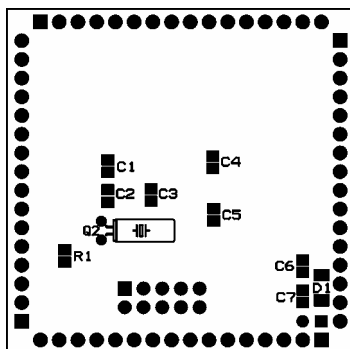
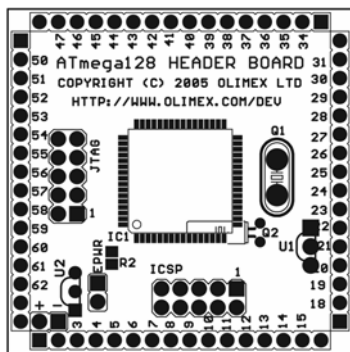


AVR-H128C HEADER BOARD WITH 10 PIN ICSP CONNECTOR FOR ATMega128 AVR MICROCONTROLLERS

Features:

AVR-H128C header board for ATMega128 AVR microcontrollers is with following features:

- ICSP 10 pin connector (STK compatible)
- JTAG 10 pin connector
- ATMega128-16AI AVR microcontroller
- RESET IC ZM33064C
- 6MHz quartz oscillator
- 32768 Hz crystal oscillator
- 0.1" extension slot on each microcontroller pin
- High voltage power supply extension pins
- +5V power supply voltage regulator
- dimensions: 47x47 mm



Programming:

To program AVR-H128B you need serial port or parallel port AVR-ICSP programmer dongle (Olimex part # AVR-PG1B or AVR-PG2B).

The serial port ICSP programmer (AVR-PG1B) works with PonyProg software by from Claudio Lanconelli and the latest release may be download for free from <http://www.lancos.com>. The parallel port ICSP programmer (AVR-PG2B) works with AVR ISP from Atmel and may be download for free from Atmel's web site.

ICSP interface:

The ICSP connector is 2x5 pin with 0,1" step and Atmel STKxxx compatible layout. The PIN.1 is marked with square pad on bottom and arrow on top. ICSP signals are: 1- MOSI, 2- VCC, 3- NC, 4- GND, 5- RST, 6- GND, 7- SCK, 8- GND, 9- MISO, 10- GND

Oscillator circuit:

16 MHz crystal resonator connected to XTAL1 and XTAL2.
32768 Hz crystal resonator connected to TOSC1 and TOSC2.

RESET supervisor circuit:

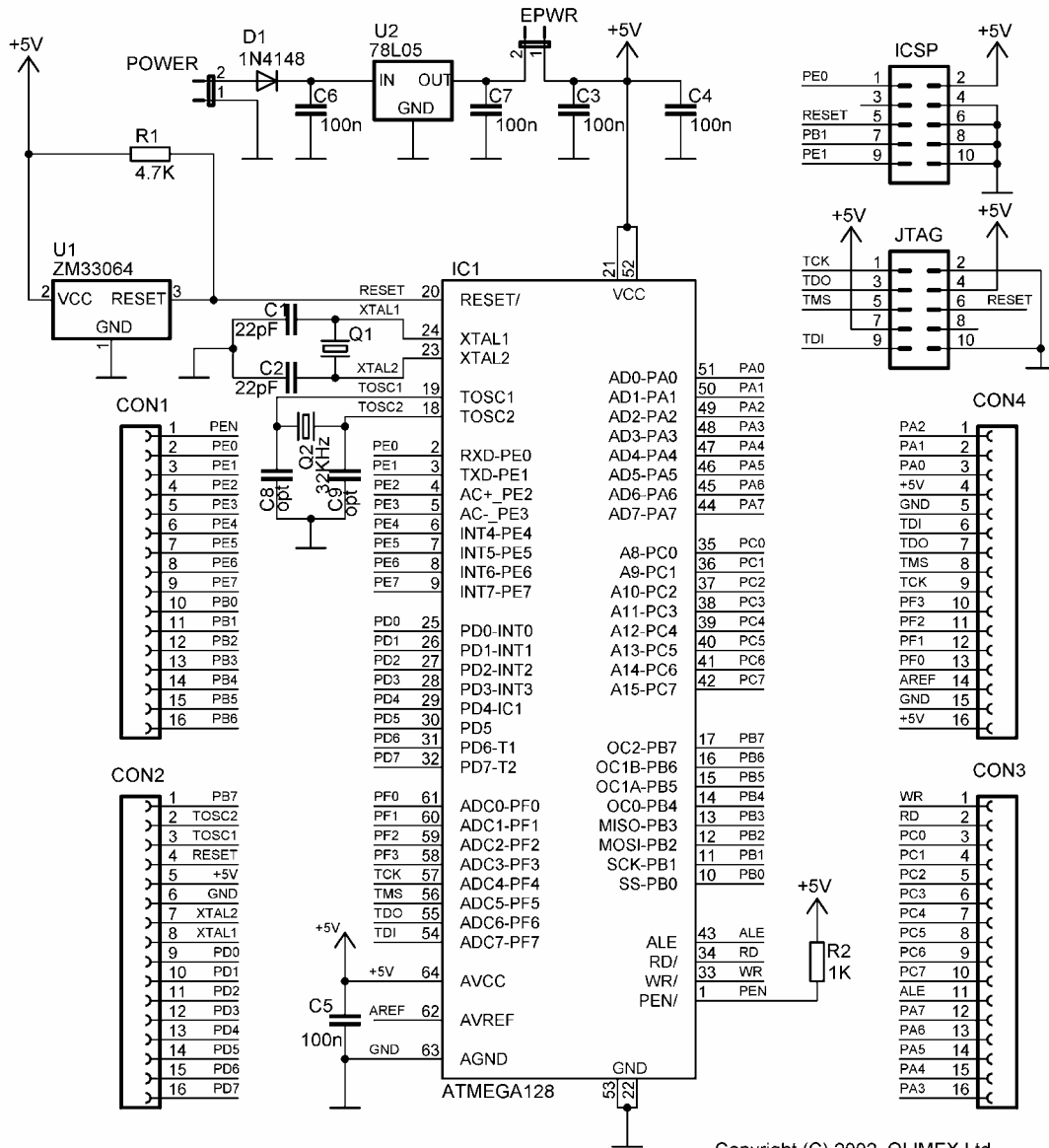
IC ZM33064C with 4.6V threshold.

Supported devices:

ATMega128 microcontrollers.

Ordering codes:

AVR-H128C - assembled and tested
AVR-H128C/PCB - only PCB



Copyright (C) 2002, OLIMEX Ltd.
<http://www.olimex.com/dev>