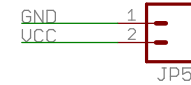
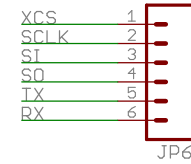
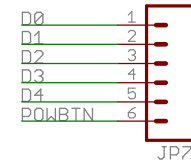
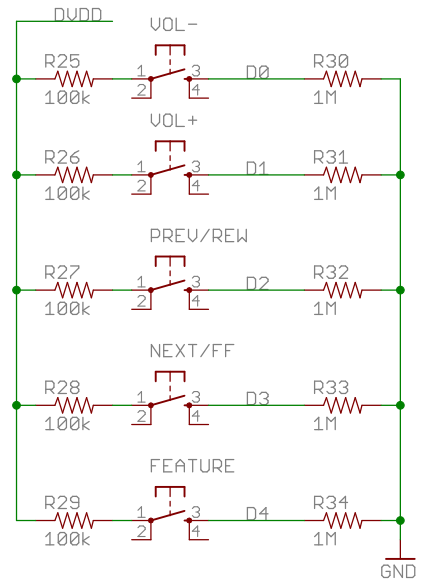


⊗ ⊗ ○ ○ ○ ○ ○ SFE

TITLE: VS1000_v13
 Document Number: _____ REV: _____
 Date: 5/13/2009 12:47:56 AM Sheet: 1/2



TITLE: US1000_v13	
Document Number:	REV:
Date: 5/13/2009 12:47:56 AM	Sheet: 2/2