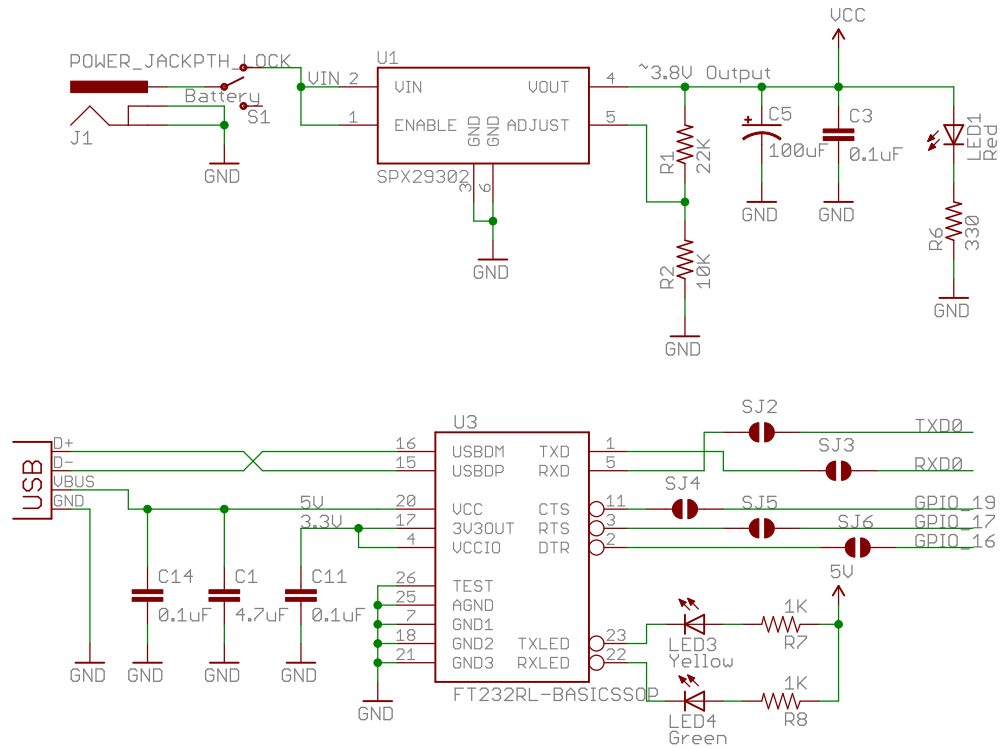


<input checked="" type="checkbox"/> SFE	
TITLE: SM5100B_dev_board-v12	
Document Number:	REV:
Date: 10/28/2009 10:24:47 AM	Sheet: 1/2



TITLE: SM5100B_dev_board-v12

Document Number:

REV:

Date: 10/28/2009 10:24:47 AM

Sheet: 2/2