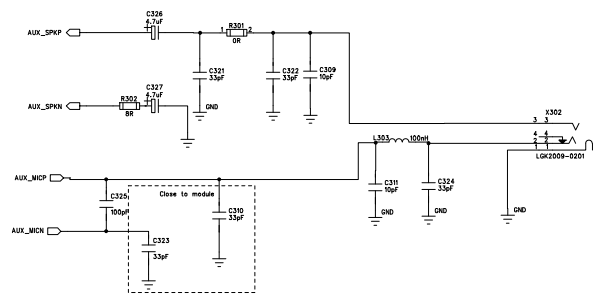
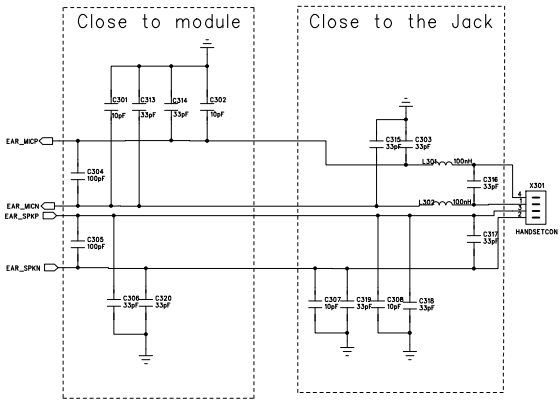
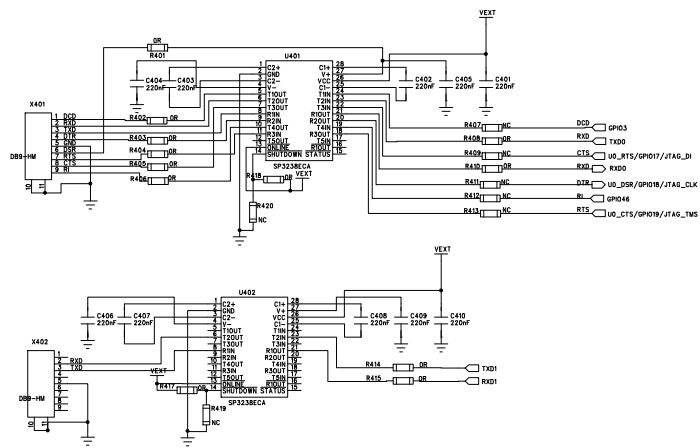


|          |     |         |           |       |            |  |       |  |          |              |
|----------|-----|---------|-----------|-------|------------|--|-------|--|----------|--------------|
| ECO MARK | No. | ECO No. | SIGNATURE | DATED | DRAWN      |  | DATED |  | MODEL:   | DRAWING No.: |
|          |     |         |           |       | CHECKED    |  | DATED |  | VERSION: |              |
|          |     |         |           |       | NORMALIZED |  | DATED |  | TITLE:   | SHEET: 2/4   |
|          |     |         |           |       | APPROVED   |  | DATED |  |          |              |



| ECO MARK | No. | ECO No. | SIGNATURE | DATED | DRAWN      |  | DATED |  | MODEL:   | DRAWING No.: |
|----------|-----|---------|-----------|-------|------------|--|-------|--|----------|--------------|
|          |     |         |           |       | CHECKED    |  | DATED |  | VERSION: | SHEET: 3/4   |
|          |     |         |           |       | NORMALIZED |  | DATED |  | TITLE:   |              |
|          |     |         |           |       | APPROVED   |  | DATED |  |          |              |



| ECO MARK | No. | ECO No. | SIGNATURE | DATED | DRAWN      |  | DATED |  | MODEL:   | DRAWING No.: |
|----------|-----|---------|-----------|-------|------------|--|-------|--|----------|--------------|
|          |     |         |           |       | CHECKED    |  | DATED |  | VERSION: |              |
|          |     |         |           |       | NORMALIZED |  | DATED |  | TITLE:   | SHEET: 4/4   |
|          |     |         |           |       | APPROVED   |  | DATED |  |          |              |