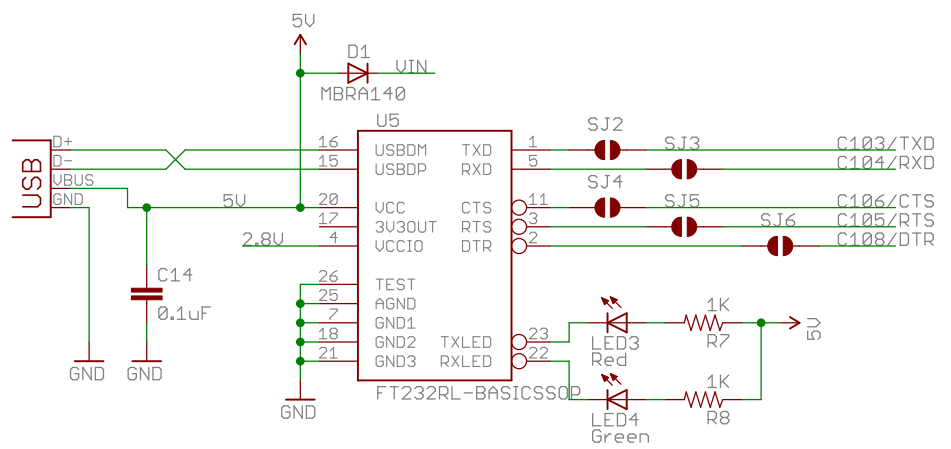
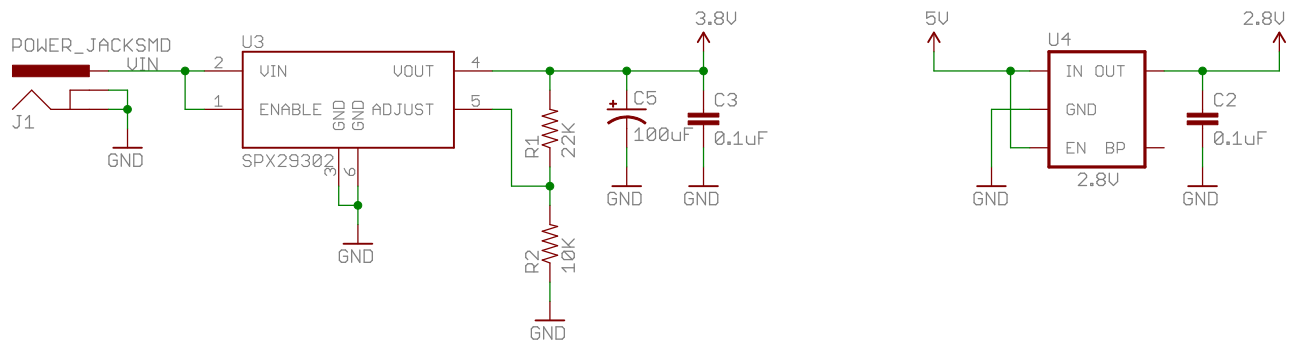


○ ○ ○ ○	
TITLE: GE865 EVK v13	SFE
Document Number:	REV:
Date: 3/5/2010 2:03:12 PM	Sheet: 1/2



TITLE: GE865 EVK v13	
Document Number:	REV:
Date: 3/5/2010 2:03:12 PM	Sheet: 2/2