



M74HC238

3 TO 8 LINE DECODER

- HIGH SPEED:
 $t_{PD} = 15\text{ns}$ (TYP.) at $V_{CC} = 6\text{V}$
- LOW POWER DISSIPATION:
 $I_{CC} = 4\mu\text{A}$ (MAX.) at $T_A=25^\circ\text{C}$
- HIGH NOISE IMMUNITY:
 $V_{NIH} = V_{NIL} = 28\% V_{CC}$ (MIN.)
- SYMMETRICAL OUTPUT IMPEDANCE:
 $|I_{OH}| = I_{OL} = 4\text{mA}$ (MIN)
- BALANCED PROPAGATION DELAYS:
 $t_{PLH} \approx t_{PHL}$
- WIDE OPERATING VOLTAGE RANGE:
 V_{CC} (OPR) = 2V to 6V
- PIN AND FUNCTION COMPATIBLE WITH
 74 SERIES 238



ORDER CODES

| PACKAGE | TUBE | T & R |
|---------|-------------|----------------|
| DIP | M74HC238B1R | |
| SOP | M74HC238M1R | M74HC238RM13TR |
| TSSOP | | M74HC238TTR |

DESCRIPTION

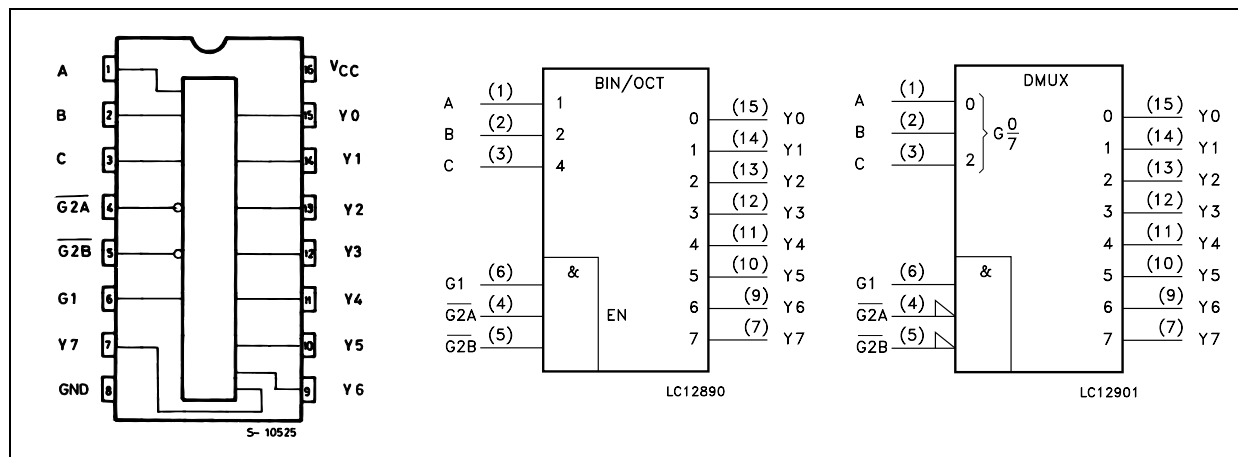
The M74HC238 is an high speed CMOS 3 TO 8 LINE DECODER fabricated with silicon gate C²MOS technology.

If the device is enabled, 3 binary select inputs (A, B and C) determine which one of outputs will go high. When enable input G1 is held "Low" or either G2A or G2B is held "High" decoding function is

inhibited and all the 8 outputs go low. Three enable inputs are provided to ease cascade connection and application of this address decoder in memory systems.

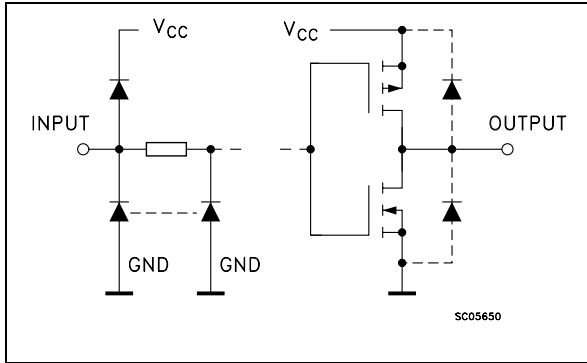
All inputs are equipped with protection circuits against static discharge and transient excess voltage.

PIN CONNECTION AND IEC LOGIC SYMBOLS



M74HC238

INPUT AND OUTPUT EQUIVALENT CIRCUIT



PIN DESCRIPTION

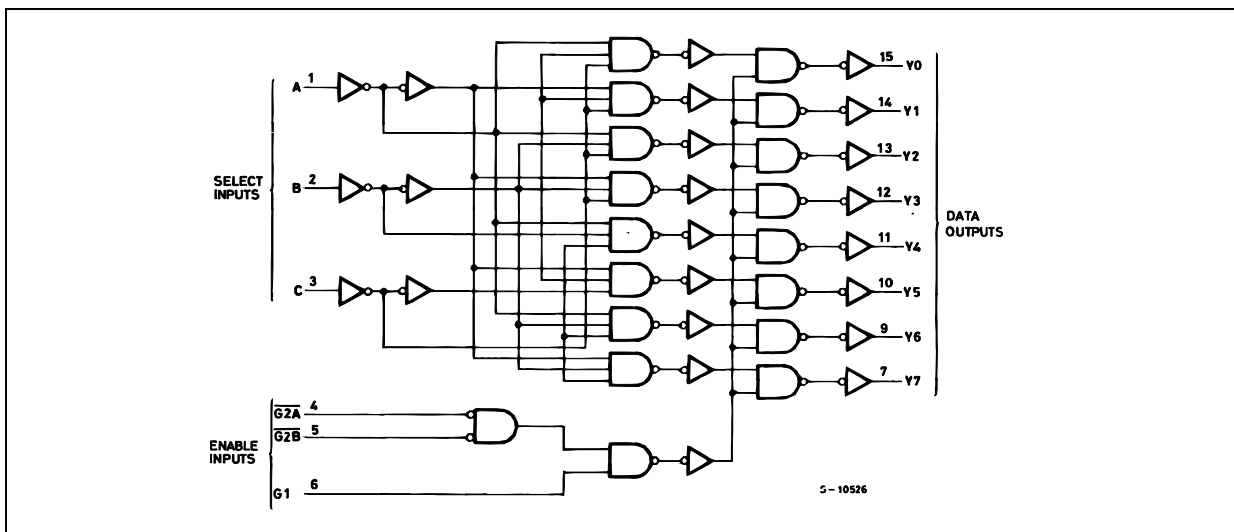
| PIN No | SYMBOL | NAME AND FUNCTION |
|------------------------------|-----------------|---------------------------------|
| 1, 2, 3 | A, B, C | Data Inputs |
| 4, 5 | G2A G2B | Enable Input (Active LOW) |
| 6 | G1 | Data Enable Input (Active HIGH) |
| 15, 14, 13, 12, 11, 10, 9, 7 | Y0 to Y7 | Outputs |
| 8 | GND | Ground (0V) |
| 16 | V _{CC} | Positive Supply Voltage |

TRUTH TABLE

| INPUTS | | | | | | OUTPUTS | | | | | | | | SELECTED OUTPUT | |
|--------|-----|----|--------|---|---|---------|----|----|----|----|----|----|----|-----------------|------|
| ENABLE | | | SELECT | | | | | | | | | | | | |
| G2B | G2A | G1 | C | B | A | Y0 | Y1 | Y2 | Y3 | Y4 | Y5 | Y6 | Y7 | | |
| X | X | L | X | X | X | L | L | L | L | L | L | L | L | L | NONE |
| X | H | X | X | X | X | L | L | L | L | L | L | L | L | L | NONE |
| H | X | X | X | X | X | L | L | L | L | L | L | L | L | L | NONE |
| L | L | H | L | L | L | H | L | L | L | L | L | L | L | L | Y0 |
| L | L | H | L | L | H | L | H | L | L | L | L | L | L | L | Y1 |
| L | L | H | L | H | L | L | L | H | L | L | L | L | L | L | Y2 |
| L | L | H | L | H | H | L | L | L | H | L | L | L | L | L | Y3 |
| L | L | H | H | L | L | L | L | L | L | H | L | L | L | L | Y4 |
| L | L | H | H | L | H | L | L | L | L | L | H | L | L | L | Y5 |
| L | L | H | H | H | L | L | L | L | L | L | L | H | L | L | Y6 |
| L | L | H | H | H | H | L | L | L | L | L | L | L | H | L | Y7 |

X : Don't Care

LOGIC DIAGRAM



This logic diagram has not been used to estimate propagation delays

ABSOLUTE MAXIMUM RATINGS

| Symbol | Parameter | Value | Unit |
|-----------------------|-------------------------------|------------------------|------|
| V_{CC} | Supply Voltage | -0.5 to +7 | V |
| V_I | DC Input Voltage | -0.5 to $V_{CC} + 0.5$ | V |
| V_O | DC Output Voltage | -0.5 to $V_{CC} + 0.5$ | V |
| I_{IK} | DC Input Diode Current | ± 20 | mA |
| I_{OK} | DC Output Diode Current | ± 20 | mA |
| I_O | DC Output Current | ± 25 | mA |
| I_{CC} or I_{GND} | DC V_{CC} or Ground Current | ± 50 | mA |
| P_D | Power Dissipation | 500(*) | mW |
| T_{stg} | Storage Temperature | -65 to +150 | °C |
| T_L | Lead Temperature (10 sec) | 300 | °C |

Absolute Maximum Ratings are those values beyond which damage to the device may occur. Functional operation under these conditions is not implied

(*) 500mW at 65 °C; derate to 300mW by 10mW/°C from 65°C to 85°C

RECOMMENDED OPERATING CONDITIONS

| Symbol | Parameter | Value | Unit | |
|------------|--------------------------|-----------------|-----------|----|
| V_{CC} | Supply Voltage | 2 to 6 | V | |
| V_I | Input Voltage | 0 to V_{CC} | V | |
| V_O | Output Voltage | 0 to V_{CC} | V | |
| T_{op} | Operating Temperature | -55 to 125 | °C | |
| t_r, t_f | Input Rise and Fall Time | $V_{CC} = 2.0V$ | 0 to 1000 | ns |
| | | $V_{CC} = 4.5V$ | 0 to 500 | ns |
| | | $V_{CC} = 6.0V$ | 0 to 400 | ns |

DC SPECIFICATIONS

| Symbol | Parameter | Test Conditions | | Value | | | | | | Unit | |
|-----------------|---------------------------|------------------------|---|-----------------------|------|-------|-------------|------|--------------|------|------|
| | | V _{CC} (V) | | T _A = 25°C | | | -40 to 85°C | | -55 to 125°C | | |
| | | | | Min. | Typ. | Max. | Min. | Max. | Min. | | Max. |
| V _{IH} | High Level Input Voltage | 2.0 | | 1.5 | | | 1.5 | | 1.5 | | V |
| | | 4.5 | | 3.15 | | | 3.15 | | 3.15 | | |
| | | 6.0 | | 4.2 | | | 4.2 | | 4.2 | | |
| V _{IL} | Low Level Input Voltage | 2.0 | | | | 0.5 | | 0.5 | | 0.5 | V |
| | | 4.5 | | | | 1.35 | | 1.35 | | 1.35 | |
| | | 6.0 | | | | 1.8 | | 1.8 | | 1.8 | |
| V _{OH} | High Level Output Voltage | 2.0 | I _O =-20 μA | 1.9 | 2.0 | | 1.9 | | 1.9 | | V |
| | | 4.5 | I _O =-20 μA | 4.4 | 4.5 | | 4.4 | | 4.4 | | |
| | | 6.0 | I _O =-20 μA | 5.9 | 6.0 | | 5.9 | | 5.9 | | |
| | | 4.5 | I _O =-4.0 mA | 4.18 | 4.31 | | 4.13 | | 4.10 | | |
| | | 6.0 | I _O =-5.2 mA | 5.68 | 5.8 | | 5.63 | | 5.60 | | |
| V _{OL} | Low Level Output Voltage | 2.0 | I _O =20 μA | | 0.0 | 0.1 | | 0.1 | | 0.1 | V |
| | | 4.5 | I _O =20 μA | | 0.0 | 0.1 | | 0.1 | | 0.1 | |
| | | 6.0 | I _O =20 μA | | 0.0 | 0.1 | | 0.1 | | 0.1 | |
| | | 4.5 | I _O =4.0 mA | | 0.17 | 0.26 | | 0.33 | | 0.40 | |
| | | 6.0 | I _O =5.2 mA | | 0.18 | 0.26 | | 0.33 | | 0.40 | |
| I _I | Input Leakage Current | 6.0 | V _I = V _{CC} or GND | | | ± 0.1 | | ± 1 | | ± 1 | μA |
| I _{CC} | Quiescent Supply Current | 6.0 | V _I = V _{CC} or GND | | | 4 | | 40 | | 80 | μA |

AC ELECTRICAL CHARACTERISTICS (C_L = 50 pF, Input t_r = t_f = 6ns)

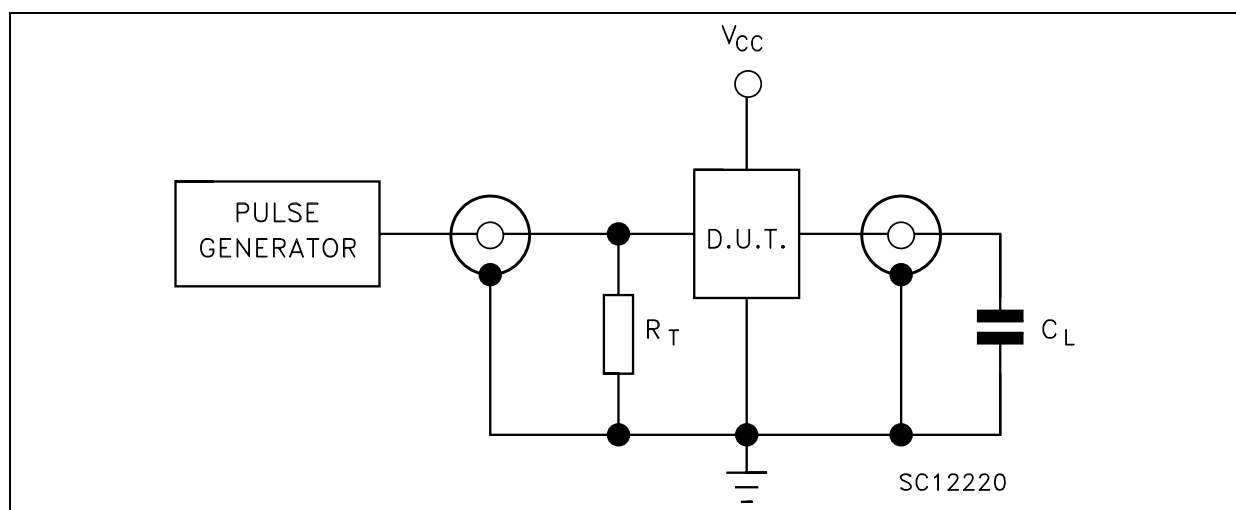
| Symbol | Parameter | Test Conditions | | Value | | | | | | Unit | |
|-----------------------------------|--------------------------------------|------------------------|--|-----------------------|------|------|-------------|------|--------------|------|------|
| | | V _{CC} (V) | | T _A = 25°C | | | -40 to 85°C | | -55 to 125°C | | |
| | | | | Min. | Typ. | Max. | Min. | Max. | Min. | | Max. |
| t _{TLH} t _{THL} | Output Transition Time | 2.0 | | | 30 | 75 | | 95 | | 110 | ns |
| | | 4.5 | | | 8 | 15 | | 19 | | 22 | |
| | | 6.0 | | | 7 | 13 | | 16 | | 19 | |
| t _{PLH} t _{PHL} | Propagation Delay Time (A, B, C - Y) | 2.0 | | | 50 | 150 | | 190 | | 225 | ns |
| | | 4.5 | | | 17 | 30 | | 38 | | 45 | |
| | | 6.0 | | | 15 | 26 | | 32 | | 38 | |
| t _{PLH} t _{PHL} | Propagation Delay Time (G1 - Y) | 2.0 | | | 50 | 150 | | 190 | | 225 | ns |
| | | 4.5 | | | 17 | 30 | | 38 | | 45 | |
| | | 6.0 | | | 15 | 26 | | 32 | | 38 | |
| t _{PLH} t _{PHL} | Propagation Delay Time (G2 - Y) | 2.0 | | | 50 | 150 | | 190 | | 225 | ns |
| | | 4.5 | | | 17 | 30 | | 38 | | 45 | |
| | | 6.0 | | | 15 | 26 | | 32 | | 38 | |

CAPACITIVE CHARACTERISTICS

| Symbol | Parameter | Test Conditions | | Value | | | | | | Unit | |
|-----------------|--|------------------------|--|-----------------------|------|------|-------------|------|--------------|------|------|
| | | V _{CC} (V) | | T _A = 25°C | | | -40 to 85°C | | -55 to 125°C | | |
| | | | | Min. | Typ. | Max. | Min. | Max. | Min. | | Max. |
| C _{IN} | Input Capacitance | 5.0 | | | 5 | 10 | | 10 | | 10 | pF |
| C _{PD} | Power Dissipation Capacitance (note 1) | 5.0 | | | 53 | | | | | | pF |

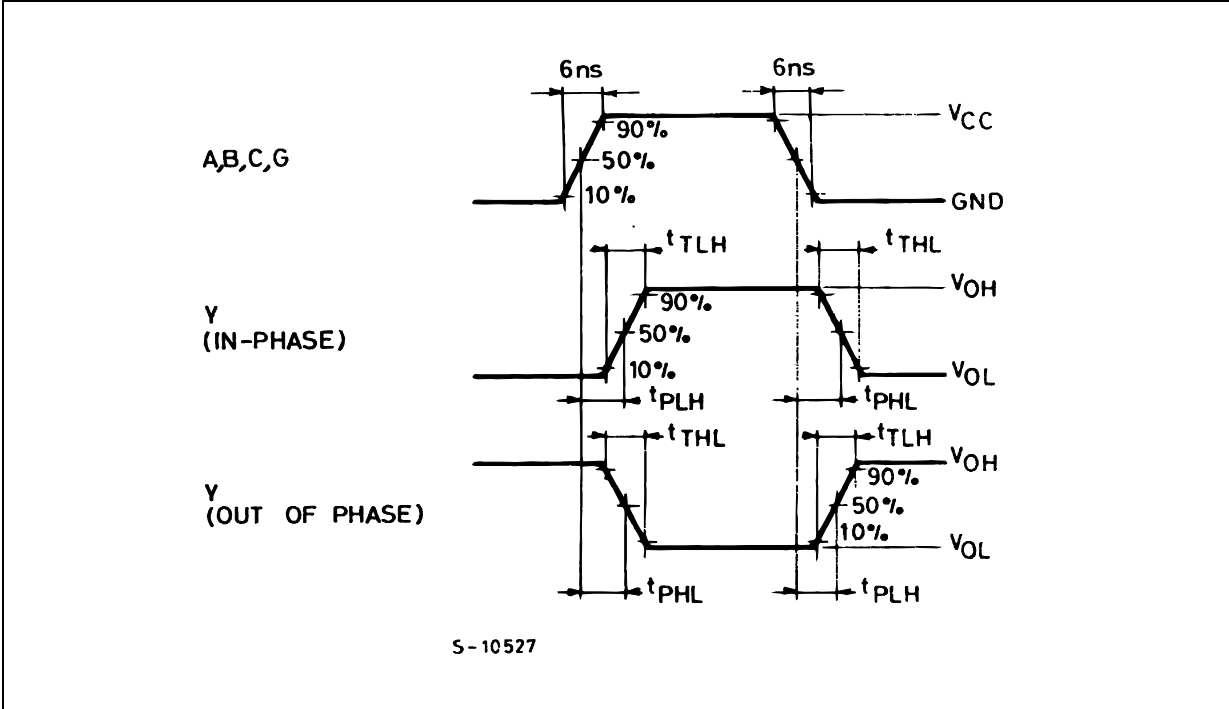
1) C_{PD} is defined as the value of the IC's internal equivalent capacitance which is calculated from the operating current consumption without load. (Refer to Test Circuit). Average operating current can be obtained by the following equation. $I_{CC(opr)} = C_{PD} \times V_{CC} \times f_{IN} + I_{CC}$

TEST CIRCUIT



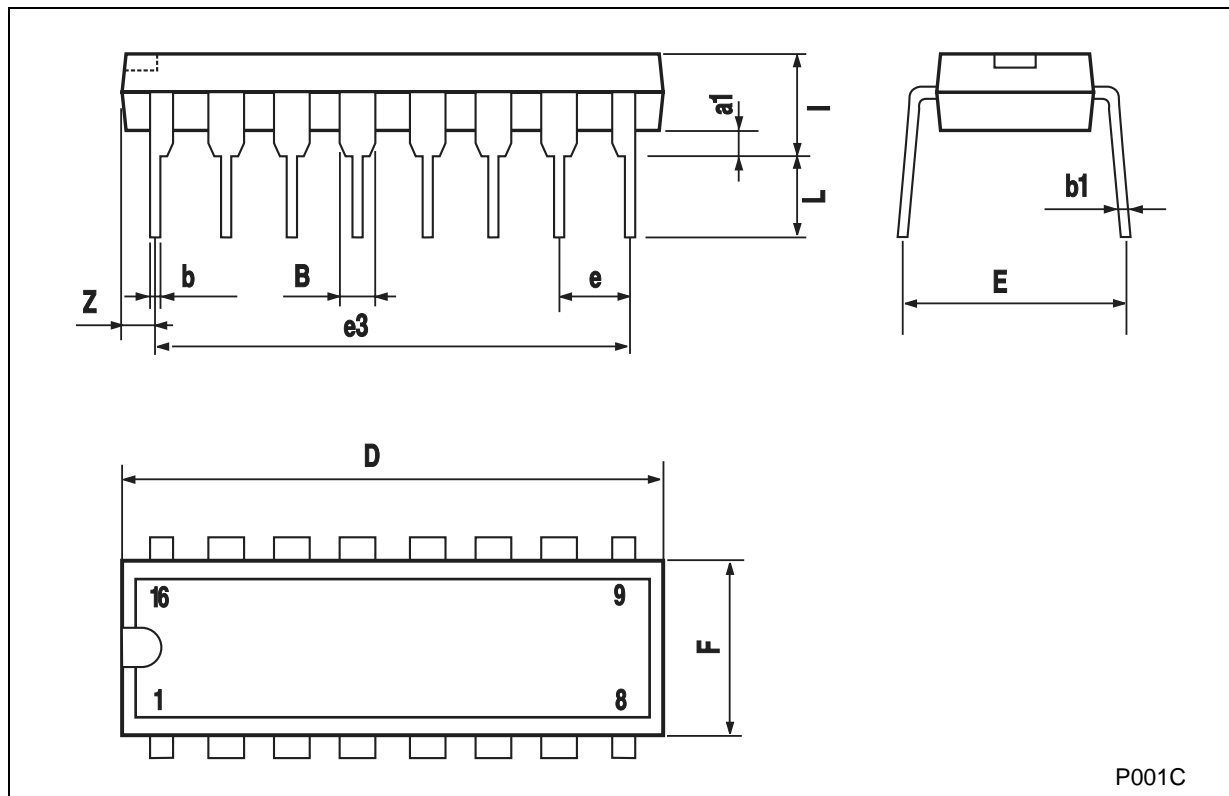
C_L = 50pF or equivalent (includes jig and probe capacitance)
R_T = Z_{OUT} of pulse generator (typically 50Ω)

WAVEFORM 1: PROPAGATION DELAY TIMES (f=1MHz; 50% duty cycle)



Plastic DIP-16 (0.25) MECHANICAL DATA

| DIM. | mm. | | | inch | | |
|------|------|-------|------|-------|-------|-------|
| | MIN. | TYP | MAX. | MIN. | TYP. | MAX. |
| a1 | 0.51 | | | 0.020 | | |
| B | 0.77 | | 1.65 | 0.030 | | 0.065 |
| b | | 0.5 | | | 0.020 | |
| b1 | | 0.25 | | | 0.010 | |
| D | | | 20 | | | 0.787 |
| E | | 8.5 | | | 0.335 | |
| e | | 2.54 | | | 0.100 | |
| e3 | | 17.78 | | | 0.700 | |
| F | | | 7.1 | | | 0.280 |
| I | | | 5.1 | | | 0.201 |
| L | | 3.3 | | | 0.130 | |
| Z | | | 1.27 | | | 0.050 |



SO-16 MECHANICAL DATA

| DIM. | mm. | | | inch | | |
|------|------------|------|------|-------|-------|-------|
| | MIN. | TYP. | MAX. | MIN. | TYP. | MAX. |
| A | | | 1.75 | | | 0.068 |
| a1 | 0.1 | | 0.2 | 0.003 | | 0.007 |
| a2 | | | 1.65 | | | 0.064 |
| b | 0.35 | | 0.46 | 0.013 | | 0.018 |
| b1 | 0.19 | | 0.25 | 0.007 | | 0.010 |
| C | | 0.5 | | | 0.019 | |
| c1 | 45° (typ.) | | | | | |
| D | 9.8 | | 10 | 0.385 | | 0.393 |
| E | 5.8 | | 6.2 | 0.228 | | 0.244 |
| e | | 1.27 | | | 0.050 | |
| e3 | | 8.89 | | | 0.350 | |
| F | 3.8 | | 4.0 | 0.149 | | 0.157 |
| G | 4.6 | | 5.3 | 0.181 | | 0.208 |
| L | 0.5 | | 1.27 | 0.019 | | 0.050 |
| M | | | 0.62 | | | 0.024 |
| S | 8° (max.) | | | | | |



PO13H

TSSOP16 MECHANICAL DATA

| DIM. | mm. | | | inch | | |
|------|------|----------|------|-------|------------|--------|
| | MIN. | TYP. | MAX. | MIN. | TYP. | MAX. |
| A | | | 1.2 | | | 0.047 |
| A1 | 0.05 | | 0.15 | 0.002 | 0.004 | 0.006 |
| A2 | 0.8 | 1 | 1.05 | 0.031 | 0.039 | 0.041 |
| b | 0.19 | | 0.30 | 0.007 | | 0.012 |
| c | 0.09 | | 0.20 | 0.004 | | 0.0089 |
| D | 4.9 | 5 | 5.1 | 0.193 | 0.197 | 0.201 |
| E | 6.2 | 6.4 | 6.6 | 0.244 | 0.252 | 0.260 |
| E1 | 4.3 | 4.4 | 4.48 | 0.169 | 0.173 | 0.176 |
| e | | 0.65 BSC | | | 0.0256 BSC | |
| K | 0° | | 8° | 0° | | 8° |
| L | 0.45 | 0.60 | 0.75 | 0.018 | 0.024 | 0.030 |



Information furnished is believed to be accurate and reliable. However, STMicroelectronics assumes no responsibility for the consequences of use of such information nor for any infringement of patents or other rights of third parties which may result from its use. No license is granted by implication or otherwise under any patent or patent rights of STMicroelectronics. Specifications mentioned in this publication are subject to change without notice. This publication supersedes and replaces all information previously supplied. STMicroelectronics products are not authorized for use as critical components in life support devices or systems without express written approval of STMicroelectronics.

© The ST logo is a registered trademark of STMicroelectronics

© 2001 STMicroelectronics - Printed in Italy - All Rights Reserved
STMicroelectronics GROUP OF COMPANIES

Australia - Brazil - China - Finland - France - Germany - Hong Kong - India - Italy - Japan - Malaysia - Malta - Morocco
Singapore - Spain - Sweden - Switzerland - United Kingdom

© <http://www.st.com>