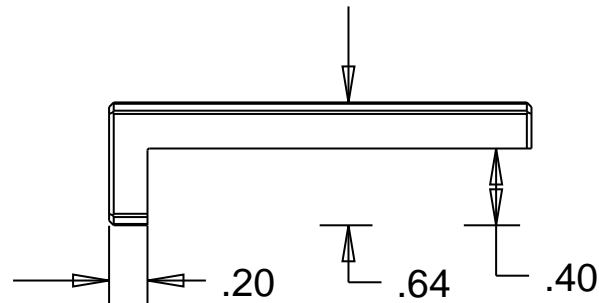


Front View



To mount your module holder-

1. Print this document.
 2. Cut out the front view and place it on your surface.
 3. Mark on your surface the center of the two RED x's.
 4. Drill your holes.
- (If you are using the recommended M3.5x12 screws, use a 3mm drill bit to create a self tapping hole.)

Tolerances, Unless noted-	
0.0 +/-	0.05
0.00 +/-	0.005
0.000 +/-	0.0005

LASER_MODULE_MOUNT

Units Inches

Drawn by Spark Fun Electronics

21 April 08

for Customer Reference

Tolerance as Noted

Drafter CH

Scale

1.00