

# 深圳市昱申科技有限公司

CHINA YOUNG SUN LED TECHNOLOGY CO., LTD.

TEL: (86) 755-28079401 28079402 28079403 28079404 28079405

FAX: (86) 755-28079407 E-mail: info@100LED.com Web: www.100LED.com

## Model No.: YSD-439AB4B-35

### Applications:

-  Moving Message Display
-  Full Color Display
-  Banking Board
-  Score Boards
-  Digital Display

## LED Chip Absolute Maximum Ratings: (Ta=25 °C)

Parameter	Symbol	Red	Unit
Forward current	I <sub>F</sub>	20	mA
Peak forward current (Duty Cycle=1/10, 10KHz)	I <sub>PF</sub>	30	mA
Reverse voltage (V <sub>R</sub> =5V)	I <sub>R</sub>	10	μ A
Operating temp	T <sub>OPR</sub>	-25 - 85	°C
Storage temp	T <sub>STG</sub>	-30 - 85	°C
Peak Emission Wavelength	λ <sub>PH</sub>	463	nm

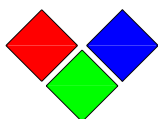
\* Soldering Bath: not more than 5 seconds @260 °C. The bottom ends of the plastic reflector should be at least 2mm above the solder surface

Soldering Iron: not more than 3 seconds @300 °C under 30W

## LED Chip Typical Electrical & Optical Characteristics: (Ta=25 °C)

ITEMS	Symbol	Condition	Min.	Typ.	Max.	Unit
Forward Voltage	V <sub>F</sub>	I <sub>F</sub> =20mA	3.2	3.4	3.5	V
Luminous Intensity	I <sub>v</sub>	I <sub>F</sub> =20mA	150	200	250	mcd
Wavelength	Δ λ	I <sub>F</sub> =20mA	460	463	465	nm
Light Degradation after 1000 hours			-4.68% ~ -8.27%			

Address: 5/F, Building B, Anzhilong Indl., Qinghua East Road., Longhua Town, Shenzhen CHINA. 518109



深圳市昱申科技有限公司

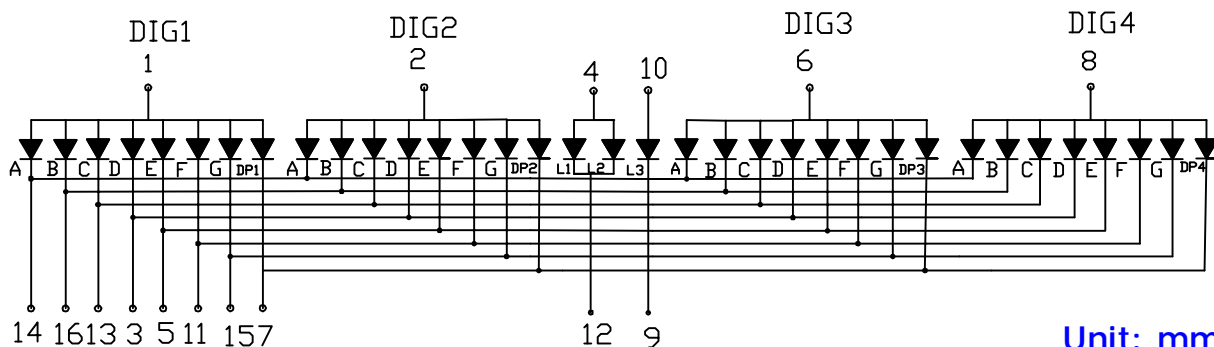
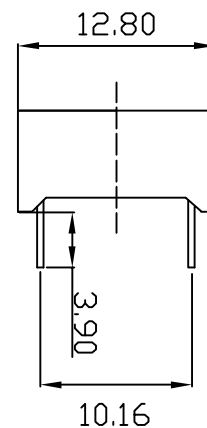
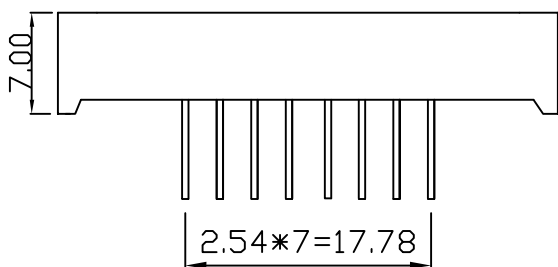
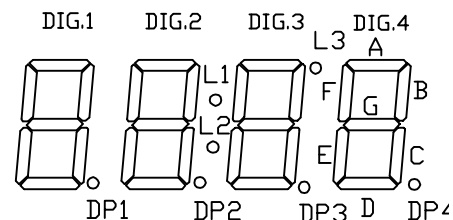
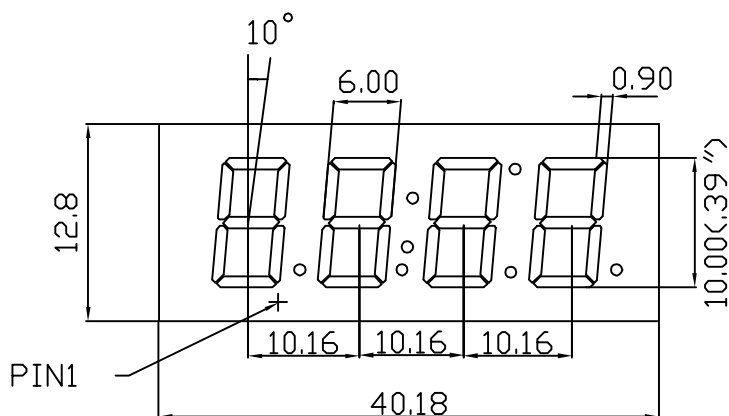
CHINA YOUNG SUN LED TECHNOLOGY CO., LTD.

TEL: (86) 755-28079401 28079402 28079403 28079404 28079405

FAX: (86) 755-28079407 E-mail: [info@100LED.com](mailto:info@100LED.com) Web: [www.100LED.com](http://www.100LED.com)

**Mechanical Dimensions:**

- . All dimension are in mm, tolerance is  $\pm 0.2\text{mm}$  unless otherwise noted
- . An epoxy meniscus may extend about 1.5mm down the leads.



Unit: mm