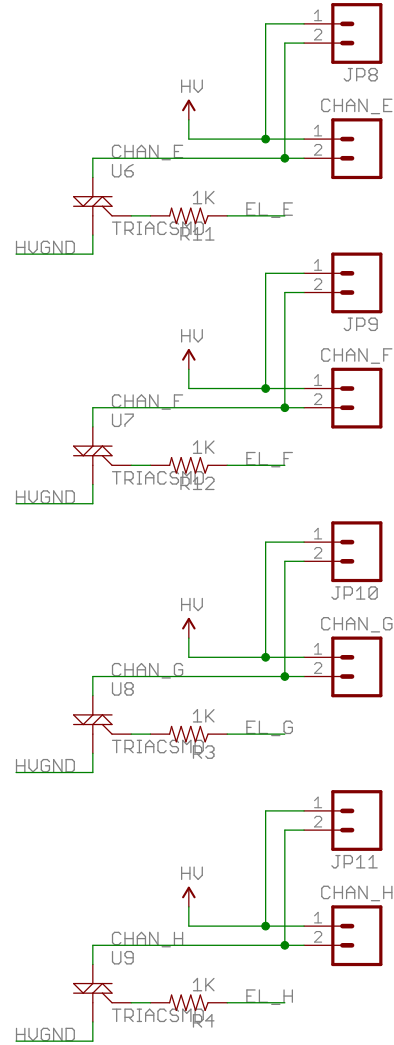
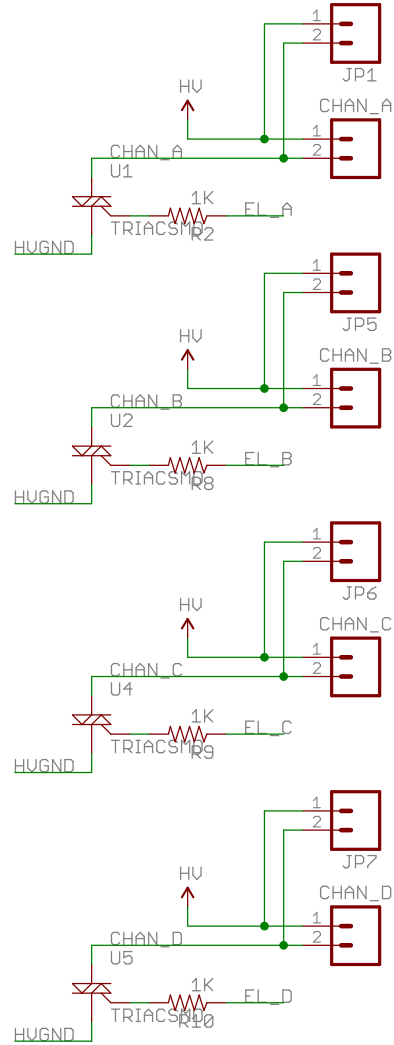
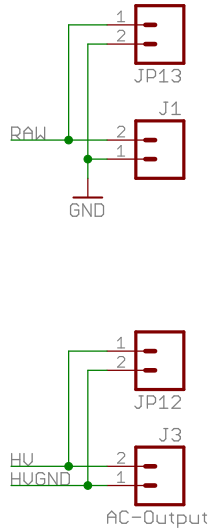


⊗ ⊗	
TITLE: sequencer-v14	○○○○ SFE
Document Number:	REV:
Date: 7/13/2009 11:34:36 AM	Sheet: 1/1

DC Power to EL Driver



TITLE: sequencer-v14

Document Number:

REV:

Date: 7/13/2009 11:34:36 AM

Sheet: 1/1