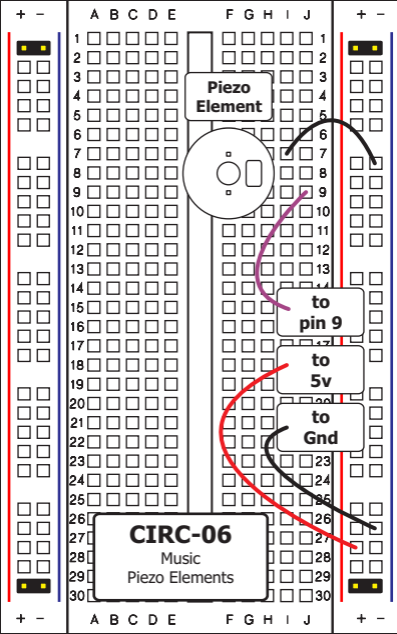
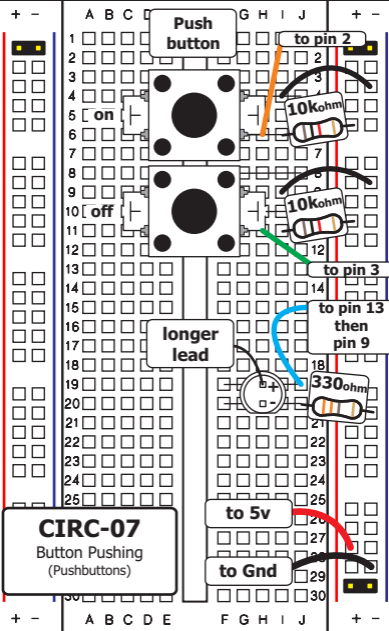
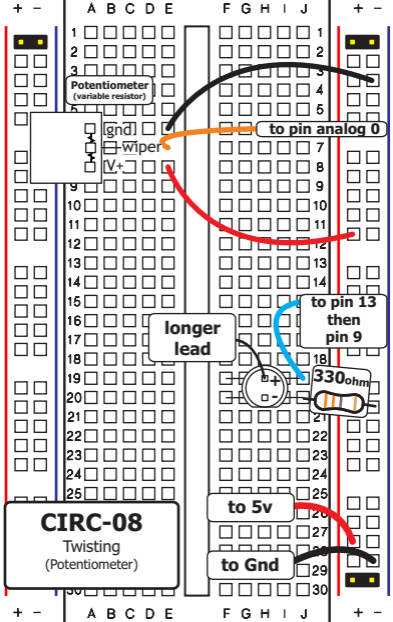
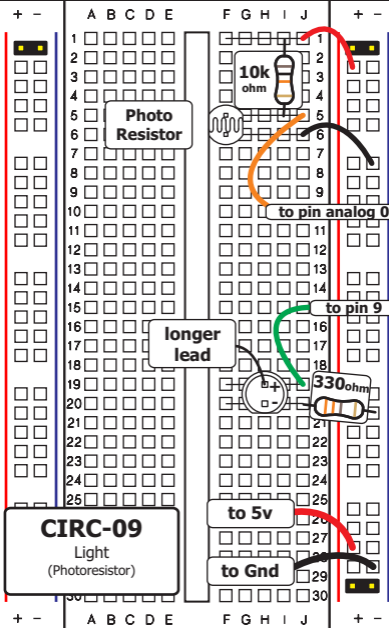


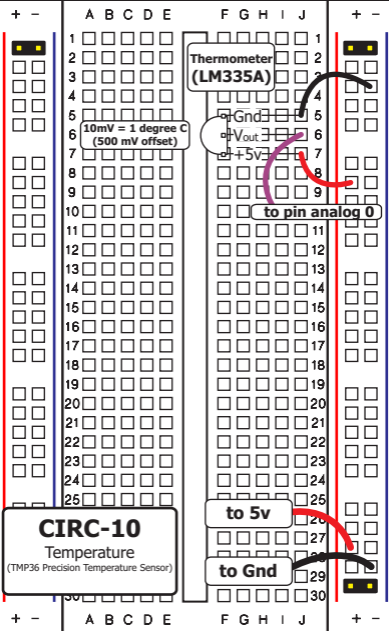
CIRC-05
8 More LED's
(74HC595 Shift Register)











Transistor (P2N2222A)

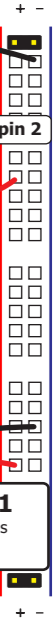


to 5v

to Gnd

to pin 2

CIRC-11
Larger Loads
(Relays)



A B C D E F G H I J