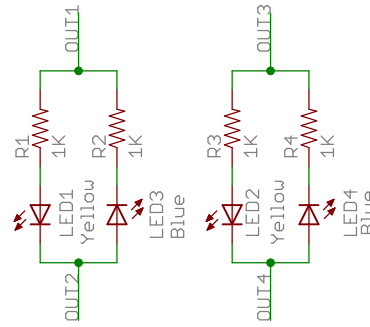
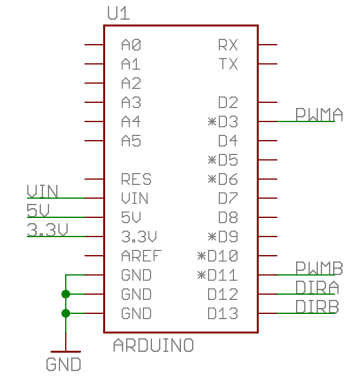


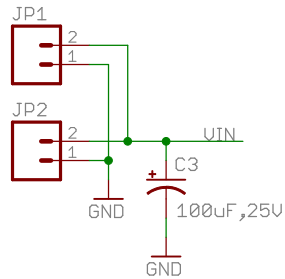
Motor Outputs



LEDs

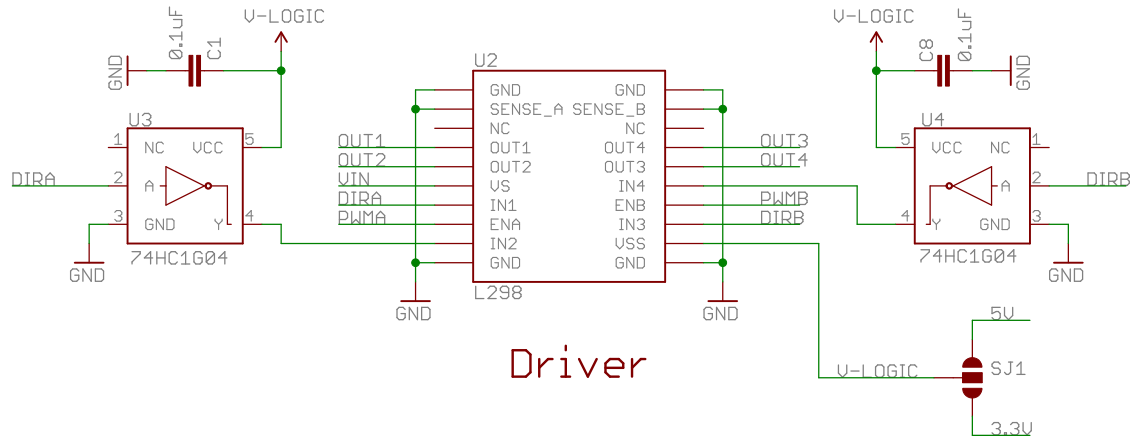


Ports



Power Input

Max input: 18VDC



Driver

Released under the Creative Commons Attribution Share-Alike 3.0 License
<http://creativecommons.org/licenses/by-sa/3.0>
 Design by: Peter Dokter

TITLE: Ardumoto v13

SFE

Document Number:

REV:

Date: 2/24/2010 11:57:49 AM

Sheet: 1/1