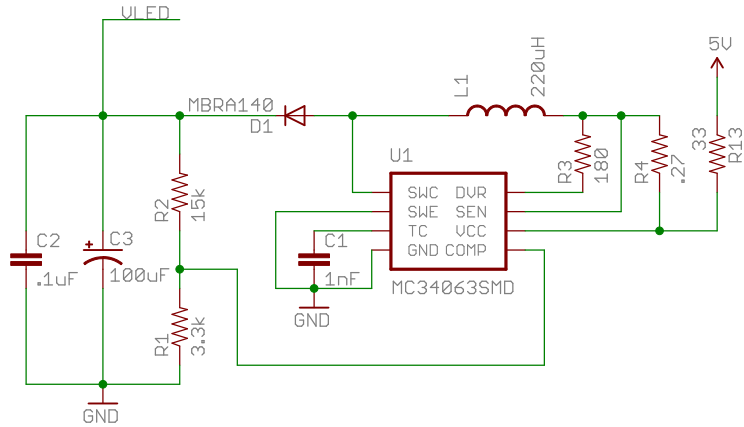
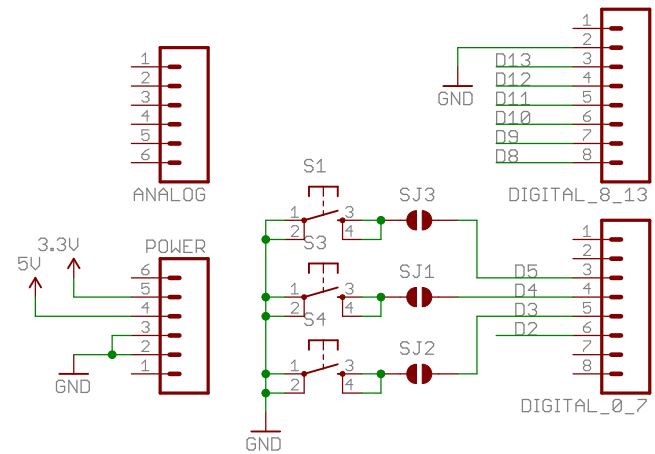


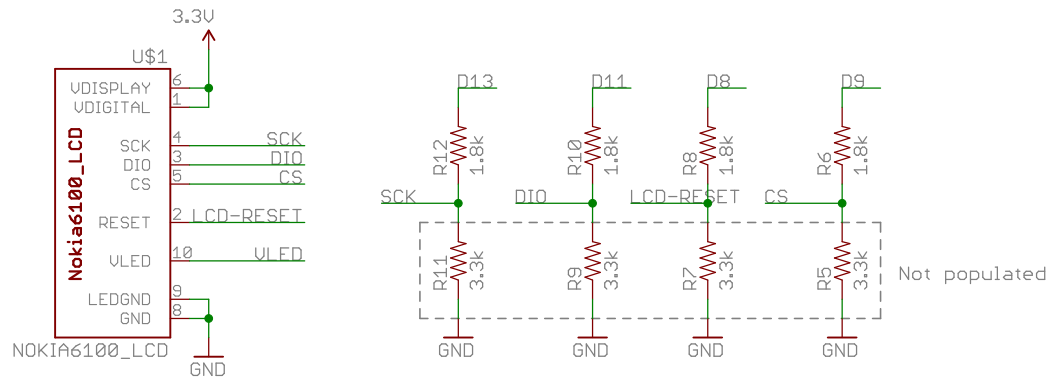
Voltage Boost Circuit



Arduino Shield



LCD



Released under the Creative Commons Attribution Share-Alike 3.0 License
<http://creativecommons.org/licenses/by-sa/3.0>
 Design by:

TITLE: Color-LCD-Shield-v12		SFE
Document Number:		REV:
Date: 3/2/2010 11:29:22 AM	Sheet: 1/1	