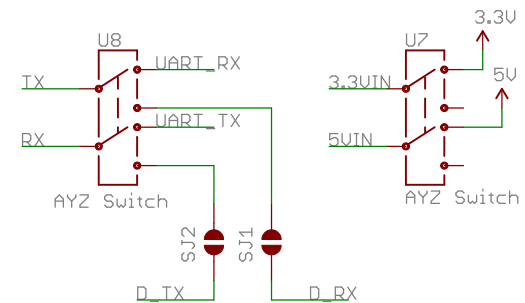
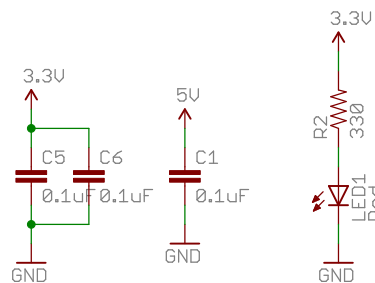
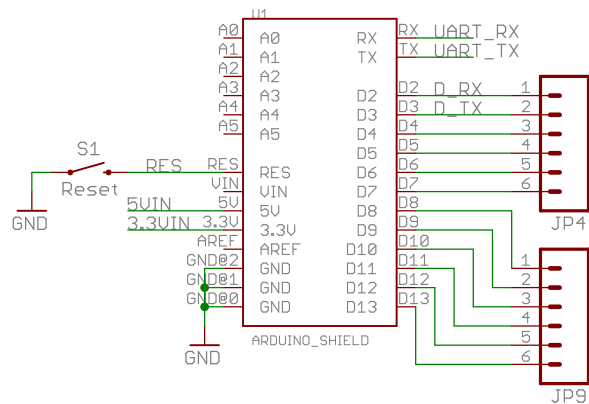


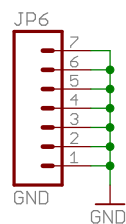
GPS Connectors

Unused GPS Pins



Arduino

Prototyping GND



Switches

TITLE: GPSShield-v14

SFE

Document Number:

REV:

Date: 6/4/2010 10:11:36 AM

Sheet: 1/1