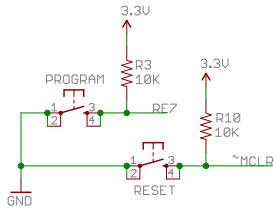
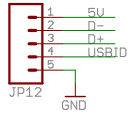
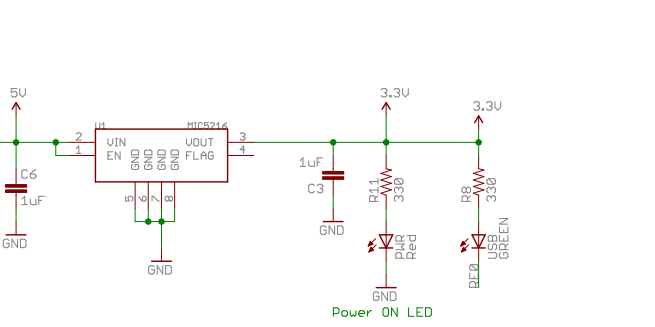
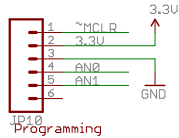


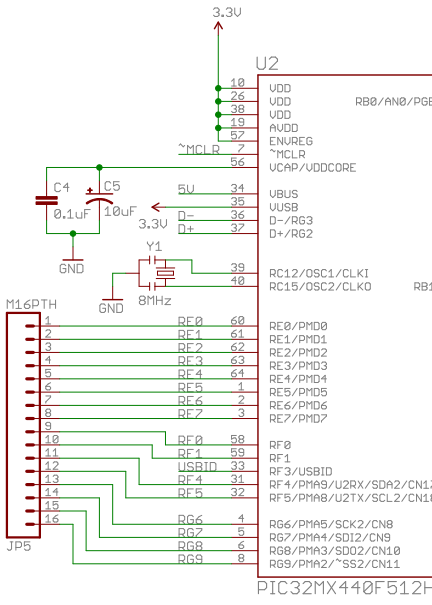
Power Section and USB



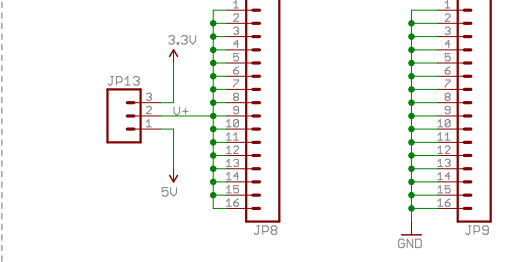
Reset and Programming



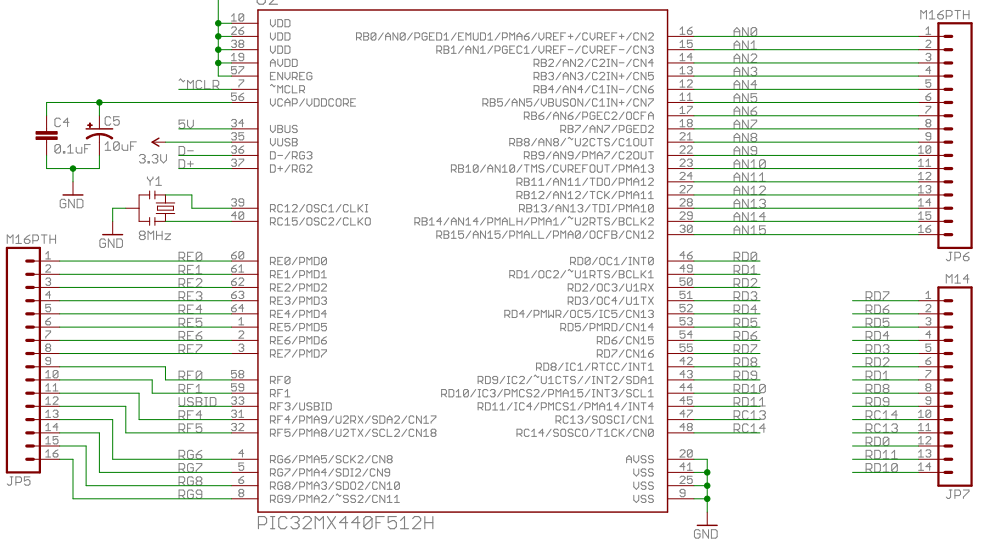
uC and Ports



PIC32MX440F512H



Power Busses



Title: EUI32_v12		OTL		Version:	
SFE		Drawn By:		3/2/2010 12:11:25 PM	
				1/1	