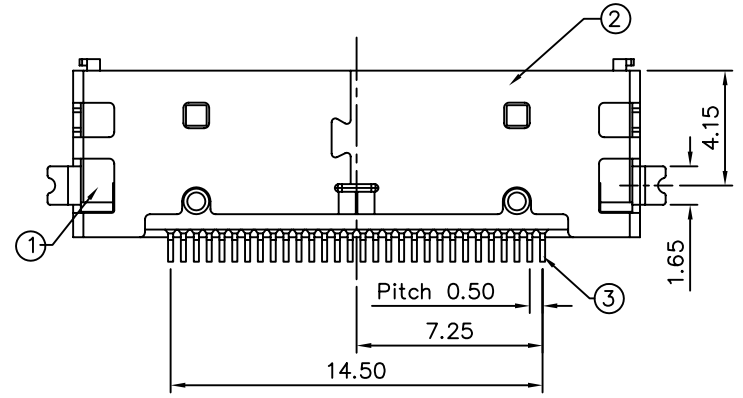
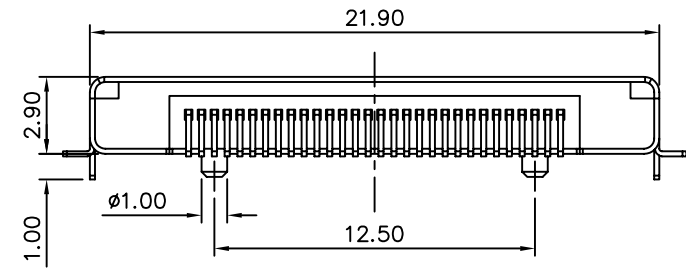
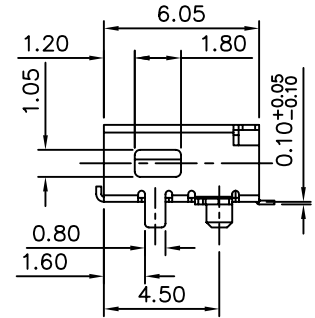
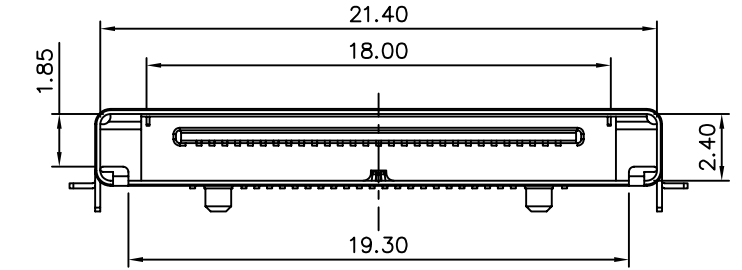
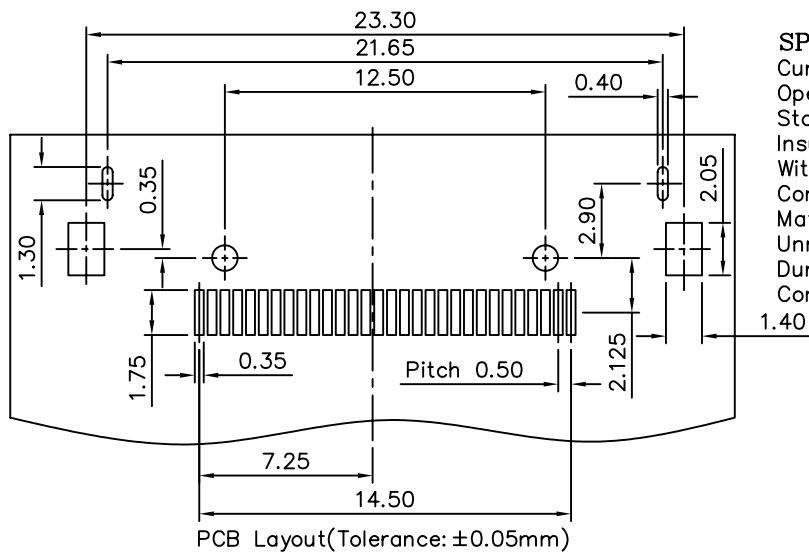
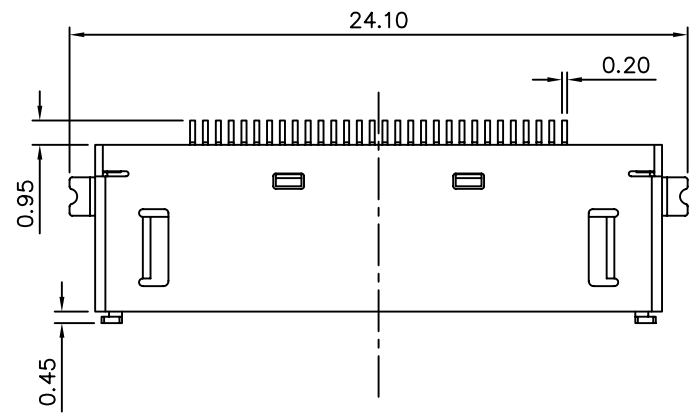


SPECIFICATIONS
 Current Rating: 0.5A
 Operating Temperature: -30°C~+70°C
 Storage Temperature: -10°C~+60°C
 Insulator Resistance: 1000 Megohms Min. At 250V DC
 Withstanding Voltage: 350V AC/Minute
 Contact Resistance: 50 Milliohms
 Mating Force: 30N(3.06kgf) Max.
 Unmating Force(Without Lock): 4.2N(0.43kgf) Min.
 Durability: 10000 Cycles Min.
 Contact Retention Force: 2.1N(0.21kgf) Min.



Item	Name	Q'ty	Material	Finish/Remark
1	Housing	1	LCP	(Black)
2	Shell	1	Stainless	20u" Nickel Plated 1u" Gold Flash Plated Solder Area
3	Contact	30	Phosphor Bronze	Contact: 15u" Gold Min. 1u" Gold Flash Plated Over All

4UCON 元化興業股份有限公司
 4UCON TECHNOLOGY INC.

DRAWING No.		APPROVED BY		UNLESS OTHERWISE SPECIFIED TOLERANCES ARE X. ±0.50 .X ±0.30 .XX ±0.20 ANG. ±5°00'					
17560		MEI							
		CHECKED BY							
		BECKY							
		DRAWING BY							
		HZF							
SCALE	NONE	REV.	A0	UNIT	mm	△ A0	NEW RELEASE	BECKY	02/06/2006
						NO.REV.	REVISIONS	CHK	DATE