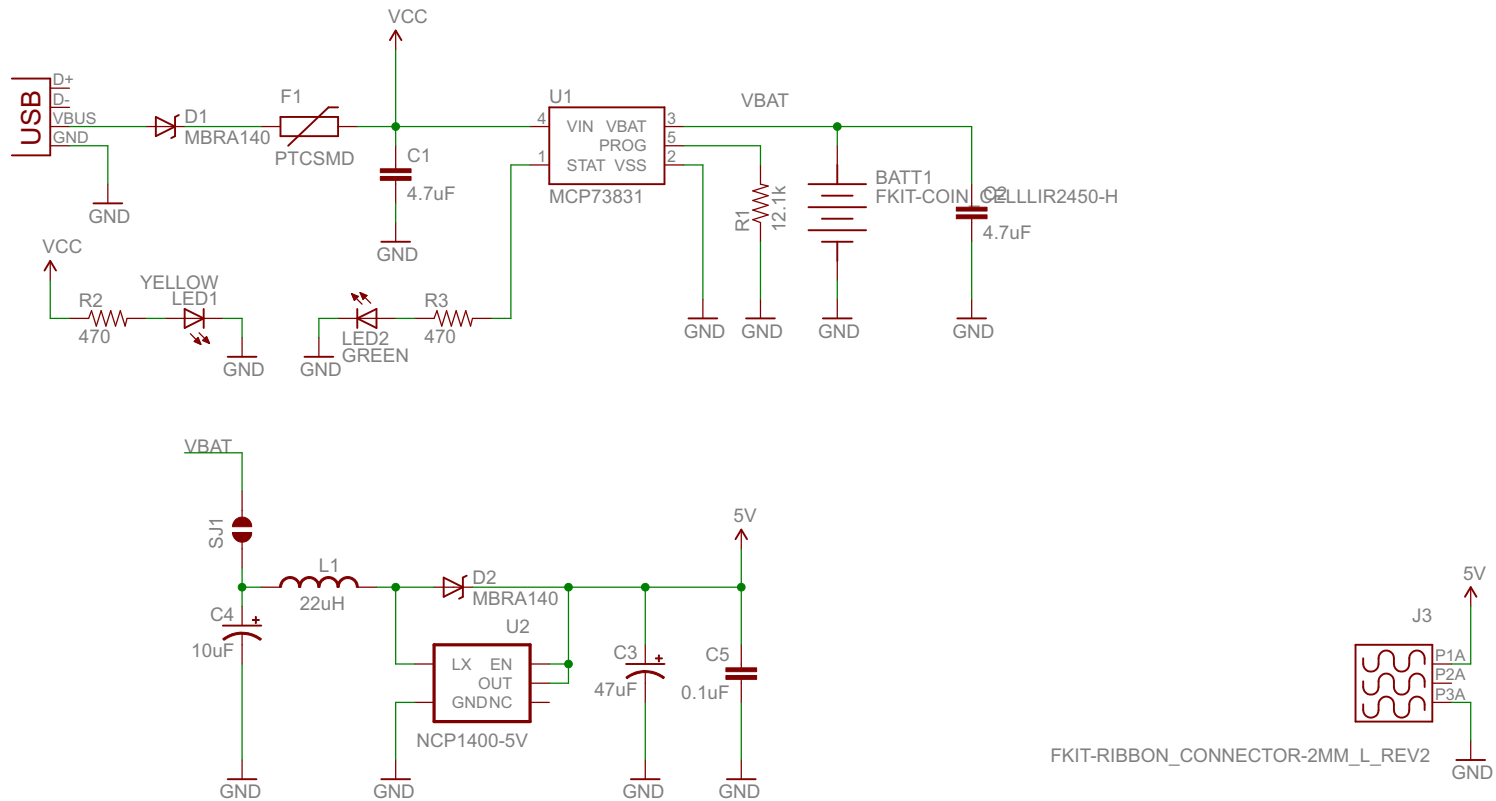


v22 Revisions
Increased annular ring size on battery
Added +/- indicators to battery



0.031" FR4, white soldermask both sides, blue silkscreen both sides, 1 oz copper
8mil min/max restring

Released under the Creative Commons Attribution Share-Alike 3.0 License
<http://creativecommons.org/licenses/by-sa/3.0>
Design by: Zach Eveland, Despina Papadopoulos, Jim Lindblom

fabrick.it Coin Cell Brick v2 
<http://fabrick.it/bricks/coin-cell-brick/> 

TITLE: fabrickit-coin-cell-brick-v24

Document Number:

REV:

Date: not saved!

Sheet: 1/1