

TITLE: GPS Eval Board v10

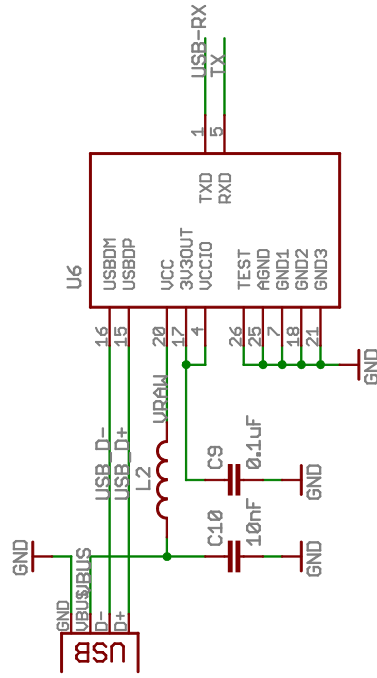
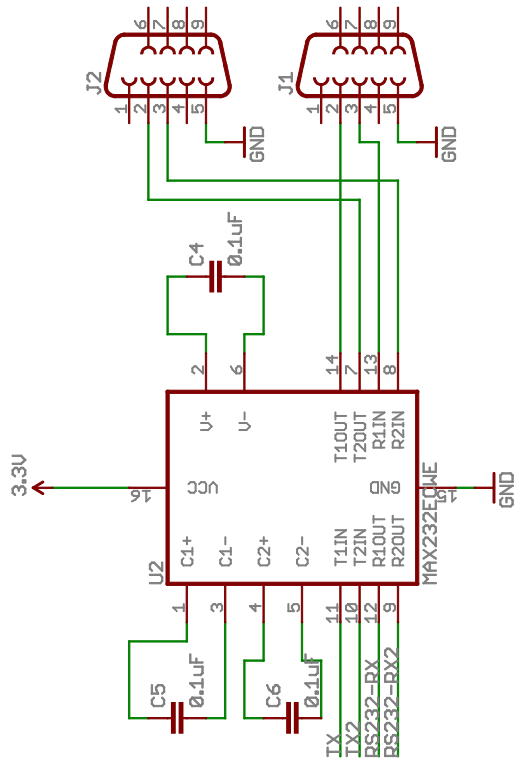
Document Number:  
Spark Fun Electronics

Date: 8/17/2007 10:53:35a

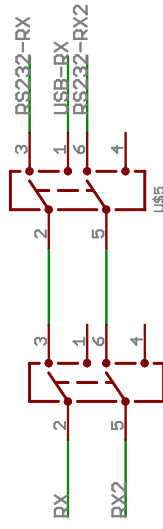
SFE

REU: 1

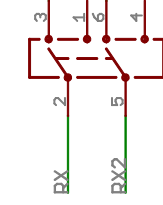
Sheet: 1/2



Interface Select



Internal / External Disconnect



TITLE:

Document Number:

REV:

Date: 8/17/2007 10:53:35a

Sheet: 2/2