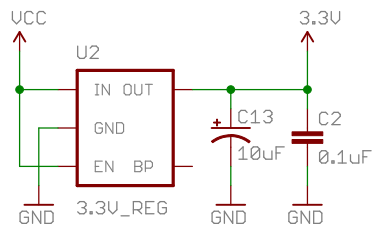
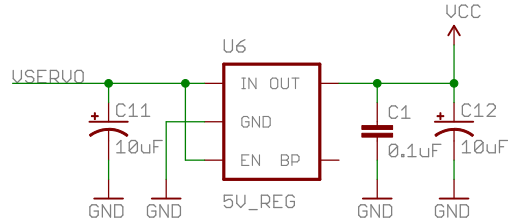
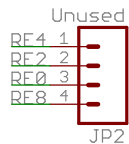
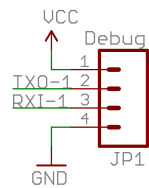
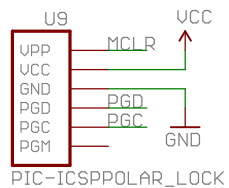


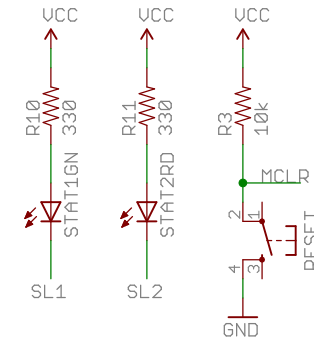
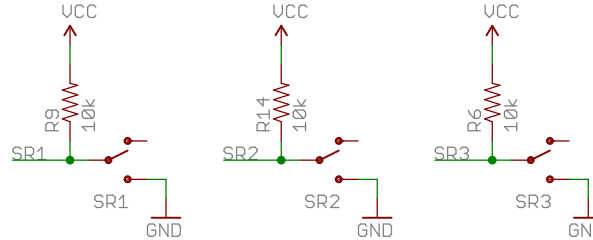
VOLTAGE REGULATION



PORTS

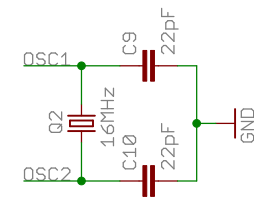
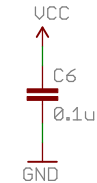


SWITCHES & LEDS



CPU

U8		DSPIC30F4011				
MCLR	18	MCLR	17	UCC		
YRATE	19	RB0/AREF+	16	GND		
ZRATE	20	RB1/AREF-	15	RF0		
XRATE	21	RB2	14	O1		
2.5VY	22	RB3	11	RF2		
I1	23	RB4/IC7	10	O2		
I2	24	RB5/IC8	9	RF4		
XACCFI	25	RB6	8	O3		
YACCFI	26	RB7	40	UCC		
ZACCFI	27	RB8	39	GND		
UCC	7	UDD2	5	SL1		
GND	6	UDD0	4	SL2		
OSC1	30	VSS0	RF1	3	TXGPS	_5V
OSC2	31	OSC1	RF4/RX2	2	RXGPS	
TXD-1	32	OSC2	RF5/TX2	1	PGC	
RXI-1	35	RC13/TX1	PGC/SDA	44	PGD	
RF8	36	RC14/RX1	PGD/SCL	43	SR3	
I3	37	INT0/RE8	RF6/SCK1	42	I4	
SR1	38	OC2/RD1	OC1/RD0	41	SR2	
GND	29	RD3	RD2	28	UCC	
		VSS1	UDD1			



Released under the Creative Commons Attribution Share-Alike 3.0 License
<http://creativecommons.org/licenses/by-sa/3.0>
 Design by:



Firmware Developed by
 William Premerlani, Ph.D

Hardware Developed by
 A. Weiss

UAV Development Platform

TITLE: UAV_v24

SFE

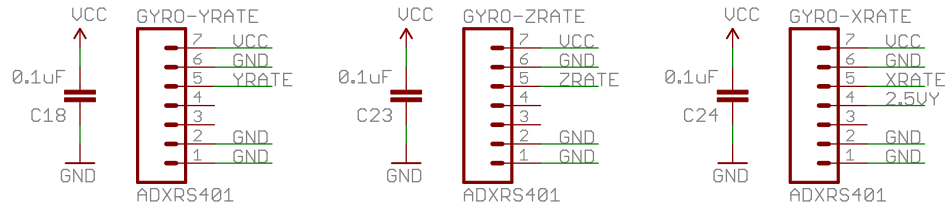
Document Number:

REV:

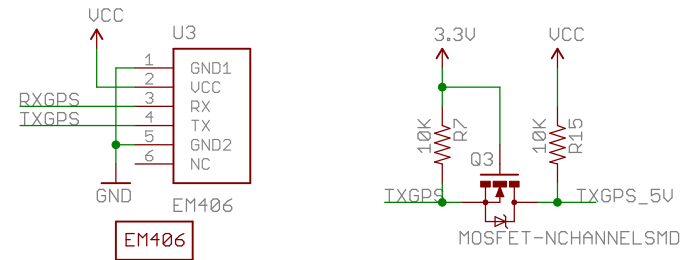
Date: 1/7/2009 7:06:07 PM

Sheet: 1/2

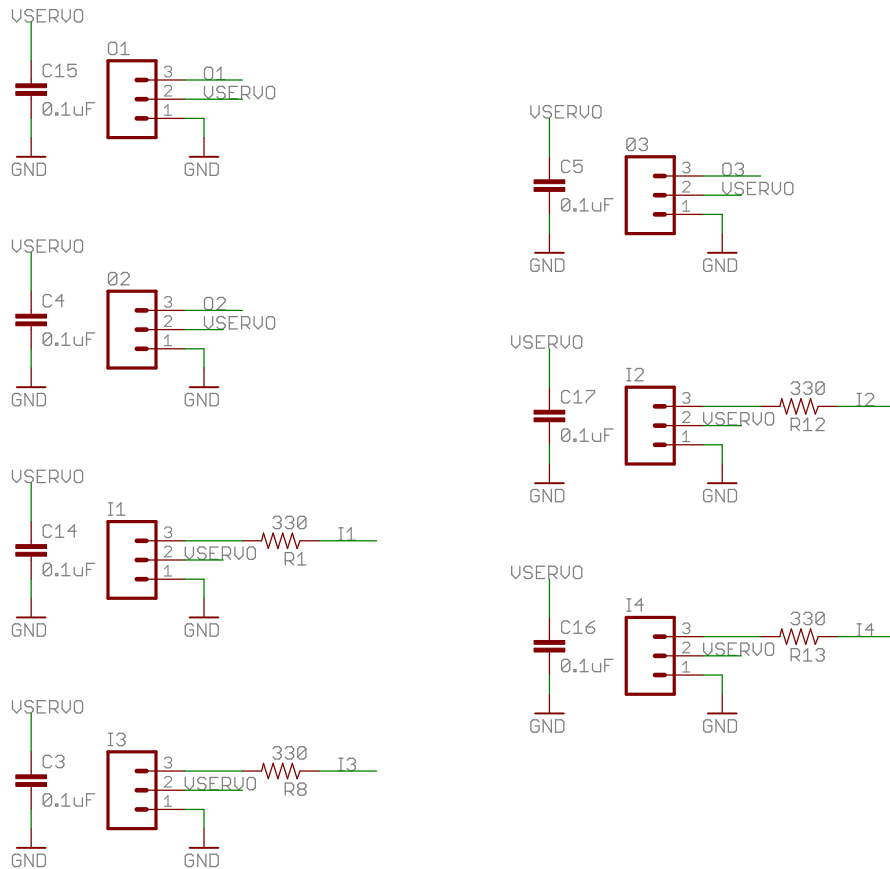
GYROS



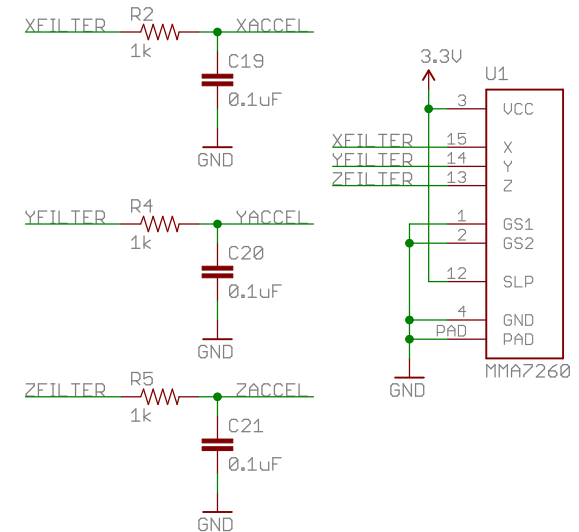
GPS



SERVOS



ACCELEROMETER



UAV Development Platform

TITLE: UAV_v24

Document Number:

REV:

Date: 1/7/2009 7:06:07 PM

Sheet: 2/2