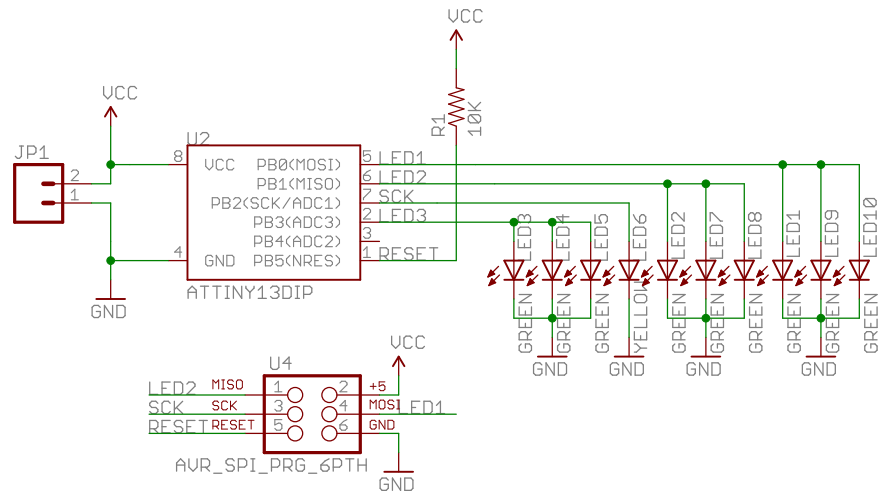


Microcontroller (ATtiny85) and LEDs



Released under the Creative Commons Attribution Share-Alike 3.0 License
<http://creativecommons.org/licenses/by-sa/3.0>
 Design by: Ryan Owens

SFE	
TITLE: Christmas_Kit-v12	
Document Number:	REV:
Date: 12/11/2009 5:05:39 PM	Sheet: 1/1