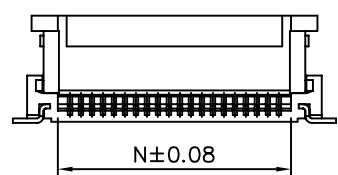
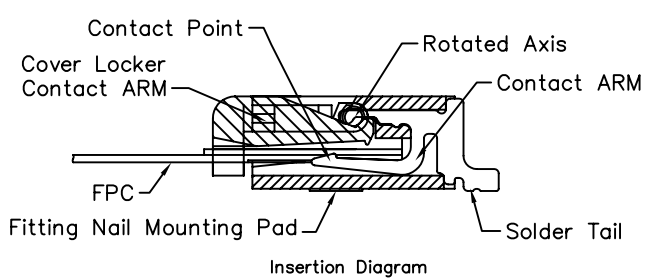
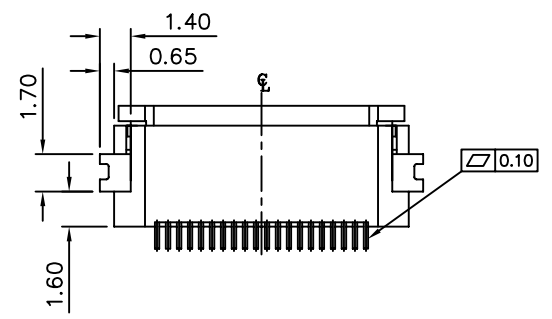
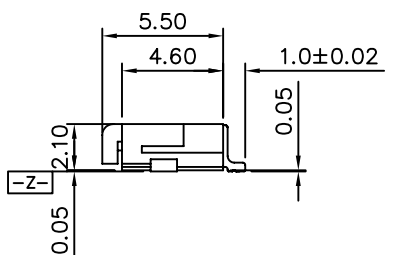
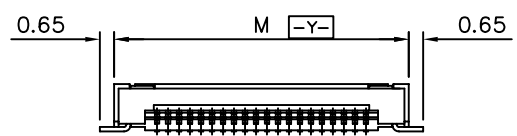


The Max. Height, When The Cover Is Open



Applicable FPC/FFC Accepted Width

SPECIFICATIONS
 Current Rating: 0.4A
 Voltage Rating: 50V AC/DC
 Contact Resistance: 40 Milliohms Max.
 Insulation Resistance: 100 Megohms Min.
 Contact Retention: 0.2N/Pin Max.
 Operating Temperature: -40°C~+80°C, 5 Cycles
 Housing: Thermoplastic, Heatproof Plastic, UL 94V-0
 Cover: Thermoplastic, PPS, UL 94V-0
 Contact: Phosphor Bronze, Tin Plated
 Fitting Nail: Phosphor Bronze, Tin Plated

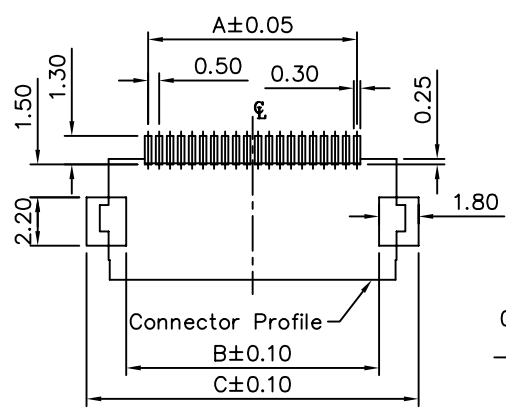
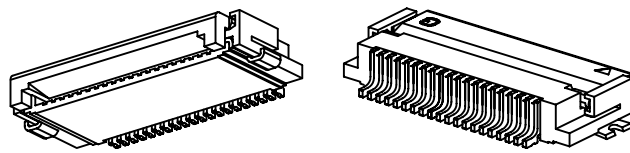


Pin	Dim. K	Dim. L	Dim. M	Dim. N	Pin	Dim. K	Dim. L	Dim. M	Dim. N
04	1.50	5.00	5.40	2.60	35	17.00	20.50	20.90	18.10
05	2.00	5.50	5.90	3.10	36	17.50	21.00	21.40	18.60
06	2.50	6.00	6.40	3.60	37	18.00	21.50	21.90	19.10
07	3.00	6.50	6.90	4.10	38	18.50	22.00	22.40	19.60
08	3.50	7.00	7.40	4.60	39	19.00	22.50	22.90	20.10
09	4.00	7.50	7.90	5.10	40	19.50	23.00	23.40	20.60
10	4.50	8.00	8.40	5.60	41	20.00	23.50	23.90	21.10
11	5.00	8.50	8.90	6.10	42	20.50	24.00	24.40	21.60
12	5.50	9.00	9.40	6.60	43	21.00	24.50	24.90	22.10
13	6.00	9.50	9.90	7.10	44	21.50	25.00	25.40	22.60
14	6.50	10.00	10.40	7.60	45	22.00	25.50	25.90	23.10
15	7.00	10.50	10.90	8.10	46	22.50	26.00	26.40	23.60
16	7.50	11.00	11.40	8.60	47	23.00	26.50	26.90	24.10
17	8.00	11.50	11.90	9.10	48	23.50	27.00	27.40	24.60
18	8.50	12.00	12.40	9.60	49	24.00	27.50	27.90	25.10
19	9.00	12.50	12.90	10.10	50	24.50	28.00	28.40	25.60
20	9.50	13.00	13.40	10.60	51	25.00	28.50	28.90	26.10
21	10.00	13.50	13.90	11.10	52	25.50	29.00	29.40	26.60
22	10.50	14.00	14.40	11.60	53	26.00	29.50	29.90	27.10
23	11.00	14.50	14.90	12.10	54	26.50	30.00	30.40	27.60
24	11.50	15.00	15.40	12.60	55	27.00	30.50	30.90	28.10
25	12.00	15.50	15.90	13.10	56	27.50	31.00	31.40	28.60
26	12.50	16.00	16.40	13.60	57	28.00	31.50	31.90	29.10
27	13.00	16.50	16.90	14.10	58	28.50	32.00	32.40	29.60
28	13.50	17.00	17.40	14.60	59	29.00	32.50	32.90	30.10
29	14.00	17.50	17.90	15.10	60	29.50	33.00	33.40	30.60
30	14.50	18.00	18.40	15.60	61	30.00	33.50	33.90	31.10
31	15.00	18.50	18.90	16.10	62	30.50	34.00	34.40	31.60
32	15.50	19.00	19.40	16.60	63	31.00	34.50	34.90	32.10
33	16.00	19.50	19.90	17.10	64	31.50	35.00	35.40	32.60
34	16.50	20.00	20.40	17.60					

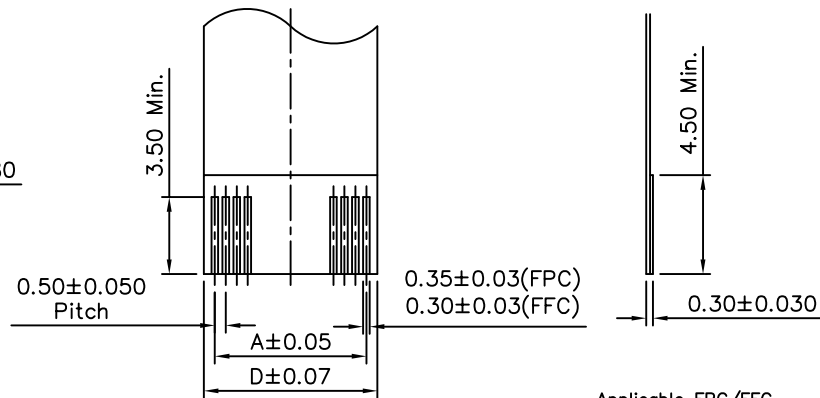
4UCON 元化興業股份有限公司
 4UCON TECHNOLOGY INC.

DRAWING No.		APPROVED BY		UNLESS OTHERWISE SPECIFIED TOLERANCES ARE .X ±0.10 .XX ±0.05 ANG.
06660		MEI		
		BECKY		
		DRAWING BY		UNIT mm
		HZF		
SCALE	NONE	REV.	BO	NO. REV.

△ BO	NEW RELEASE	BECKY	07/29/2005
	REVISIONS	CHK	DATE



Recommended PCB Layout
Component Side



Applicable FPC/FFC
Recommended Dimension

Pin	Dim. K	Dim. L	Dim. M	Dim. N	Pin	Dim. K	Dim. L	Dim. M	Dim. N
04	1.50	3.50	7.10	2.50	35	17.00	19.00	22.60	18.00
05	2.00	4.00	7.60	3.00	36	17.50	19.50	23.10	18.50
06	2.50	4.50	8.10	3.50	37	18.00	20.00	23.60	19.00
07	3.00	5.00	8.60	4.00	38	18.50	20.50	24.10	19.50
08	3.50	5.50	9.10	4.50	39	19.00	21.00	24.60	20.00
09	4.00	6.00	9.60	5.00	40	19.50	21.50	25.10	20.50
10	4.50	6.50	10.10	5.50	41	20.00	22.00	25.60	21.00
11	5.00	7.00	10.60	6.00	42	20.50	22.50	26.10	21.50
12	5.50	7.50	11.10	6.50	43	21.00	23.00	26.60	22.00
13	6.00	8.00	11.60	7.00	44	21.50	23.50	27.10	22.50
14	6.50	8.50	12.10	7.50	45	22.00	24.00	27.60	23.00
15	7.00	9.00	12.60	8.00	46	22.50	24.50	28.10	23.50
16	7.50	9.50	13.10	8.50	47	23.00	25.00	28.60	24.00
17	8.00	10.00	13.60	9.00	48	23.50	25.50	29.10	24.50
18	8.50	10.50	14.10	9.50	49	24.00	26.00	29.60	25.00
19	9.00	11.00	14.60	10.00	50	24.50	26.50	30.10	25.50
20	9.50	11.50	15.10	10.50	51	25.00	27.00	30.60	26.00
21	10.00	12.00	15.60	11.00	52	25.50	27.50	31.10	26.50
22	10.50	12.50	16.10	11.50	53	26.00	28.00	31.60	27.00
23	11.00	13.00	16.60	12.00	54	26.50	28.50	32.10	27.50
24	11.50	13.50	17.10	12.50	55	27.00	29.00	32.60	28.00
25	12.00	14.00	17.60	13.00	56	27.50	29.50	33.10	28.50
26	12.50	14.50	18.10	13.50	57	28.00	30.00	33.60	29.00
27	13.00	15.00	18.60	14.00	58	28.50	30.50	34.10	29.50
28	13.50	15.50	19.10	14.50	59	29.00	31.00	34.60	30.00
29	14.00	16.00	19.60	15.00	60	29.50	31.50	35.10	30.50
30	14.50	16.50	20.10	15.50	61	30.00	32.00	35.60	31.00
31	15.00	17.00	20.60	16.00	62	30.50	32.50	36.10	31.50
32	15.50	17.50	21.10	16.50	63	31.00	33.00	36.60	32.00
33	16.00	18.00	21.60	17.00	64	31.50	33.50	37.10	32.50
34	16.50	18.50	22.10	17.50					

4UCON 元化興業股份有限公司
4UCON TECHNOLOGY INC.

DRAWING No.		APPROVED BY		UNLESS OTHERWISE SPECIFIED TOLERANCES ARE .X ±0.10 .XX ±0.05 ANG.
06660		MEI		
		BECKY		
		DRAWING BY		UNIT mm
		HZF		
SCALE	NONE	REV.	BO	

△ BO	NEW RELEASE	BECKY	07/29/2005
NO.REV.	REVISIONS	CHK	DATE