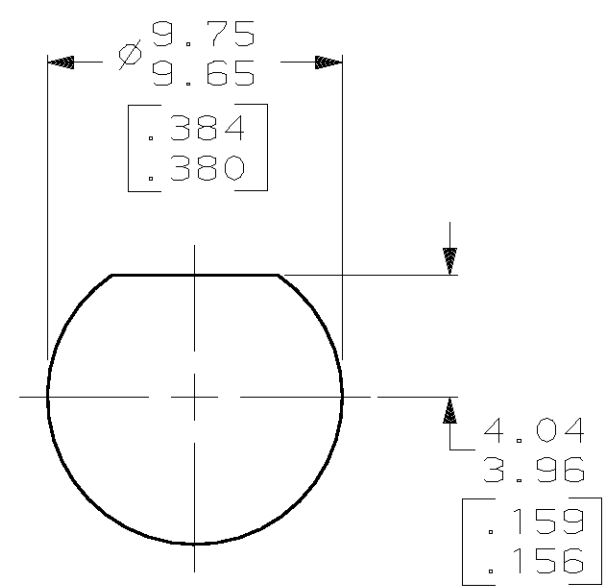
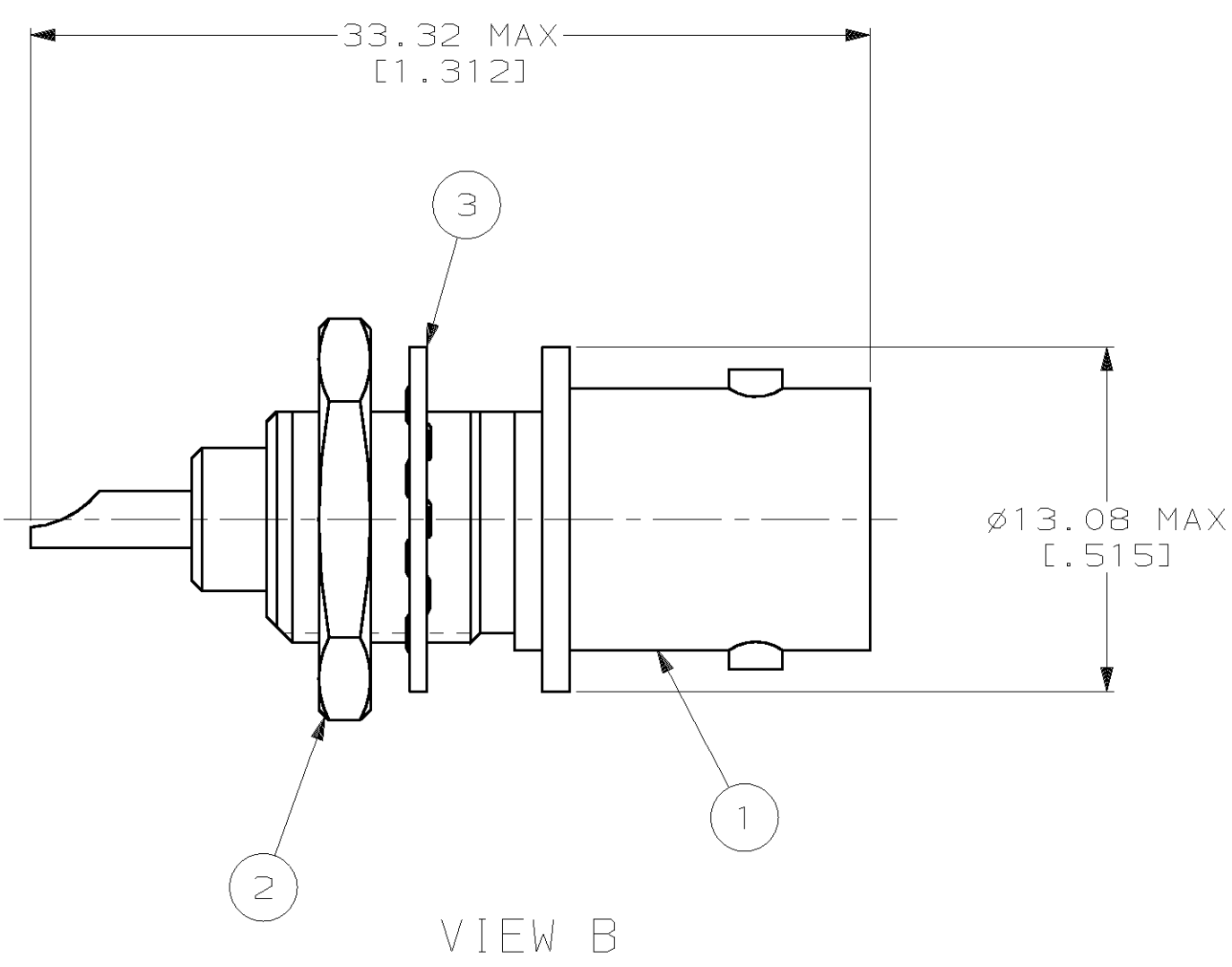
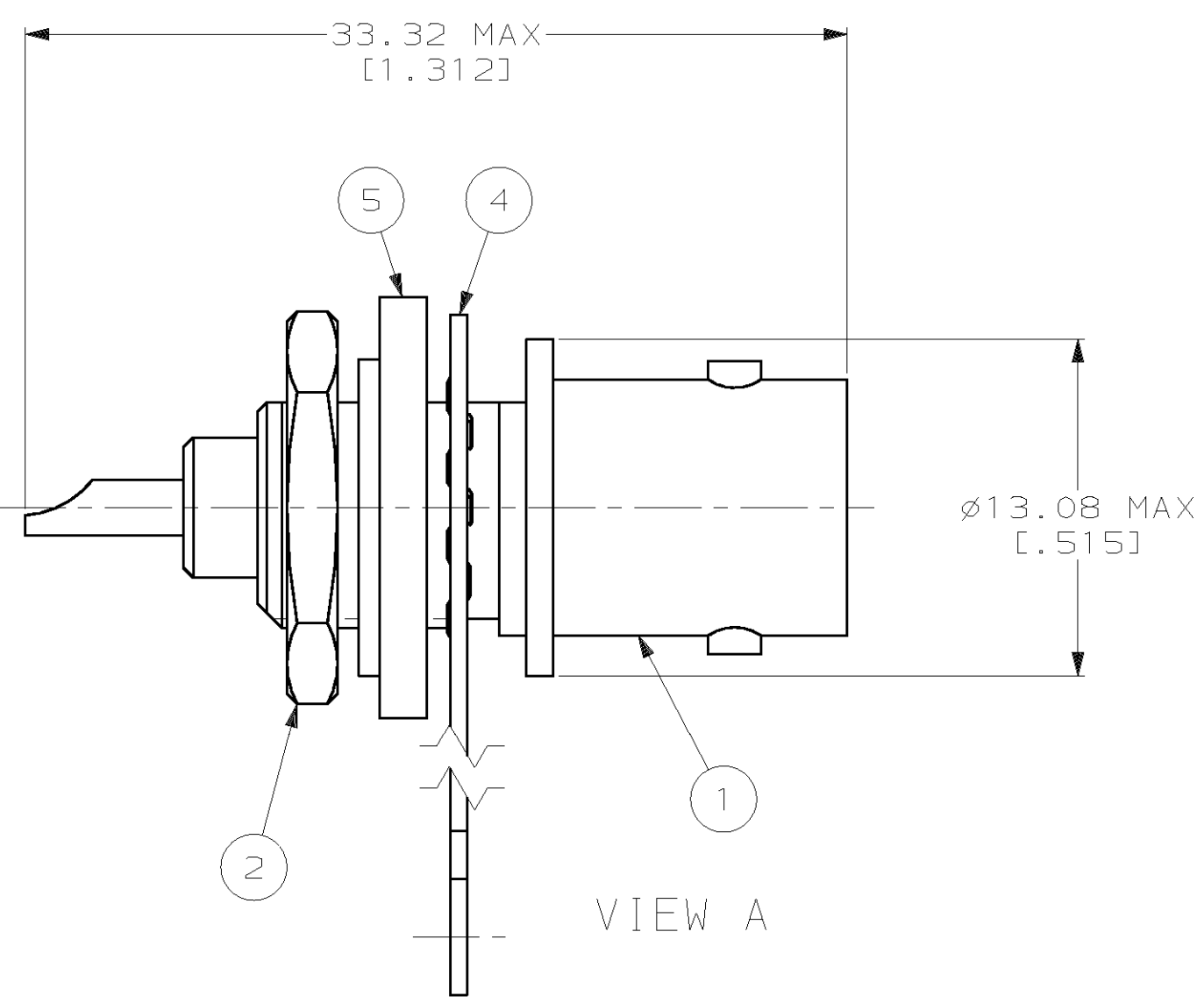


LOC		DIST		P		F		ZONE		LTR		REVISIONS	
AJ		16								E		OBS -13 PER OU20-0072-01	
												DATE	APPD
												16APR01	MO



RECOMMENDED PANEL CUTOUT <sup>3</sup>

OBSELETE	<sup>3</sup>	<sup>2</sup>	-	A	221951-1	227260-2	-	1-330249-1	227140-5	1-227169-3
SUPERSEDED BY 227169-7	VIEW C	<sup>1</sup>	.246 OZ	A	-	227260-2	-	1-330249-1	227140-5	1-227169-2
SUPERSEDED BY 227169-8	VIEW C	<sup>1</sup>	.246 OZ	A	-	227260-2	-	1-330249-1	227140-6	1-227169-1
SUPERSEDED BY 227169-4	VIEW C	<sup>1</sup>	.232 OZ	B	-	-	1-329492-1	1-330249-1	227140-6	1-227169-0
SUPERSEDED BY 227169-3	VIEW C	<sup>1</sup>	.232 OZ	B	-	-	1-329492-1	1-330249-1	227140-5	227169-9
	VIEW C	<sup>1</sup>	.246 OZ	A	-	227260-2	-	1-330249-1	227140-2	227169-8
	VIEW C	<sup>1</sup>	.246 OZ	A	-	227260-2	-	1-330249-1	227140-3	227169-7
SUPERSEDED BY 227169-8	VIEW C	<sup>1</sup>	.246 OZ	A	-	227260-2	-	1-330249-1	227140-4	227169-6
	VIEW C	<sup>1</sup>	.246 OZ	A	-	227260-2	-	1-330249-1	227140-1	227169-5
	VIEW C	<sup>1</sup>	.232 OZ	B	-	-	1-329492-1	1-330249-1	227140-2	227169-4
	VIEW C	<sup>1</sup>	.232 OZ	B	-	-	1-329492-1	1-330249-1	227140-3	227169-3
SUPERSEDED BY 227169-4	VIEW C	<sup>1</sup>	.232 OZ	B	-	-	1-329492-1	1-330249-1	227140-4	227169-2
	VIEW C	<sup>1</sup>	.232 OZ	B	-	-	1-329492-1	1-330249-1	227140-1	227169-1
PANEL CUTOUT	PANEL THICKNESS	WEIGHT	VIEW	<sup>5</sup> BUSHING QTY=1	<sup>4</sup> LOCKWASHER TERMINAL QTY=1	<sup>3</sup> LOCKWASHER QTY=1	<sup>2</sup> JAM NUT QTY=1	<sup>1</sup> JACK ASSY QTY=1	PART NUMBER	

- <sup>1</sup> 6.35 [0.250] MAXIMUM PANEL THICKNESS.
- <sup>2</sup> 4.75 [0.187] MAXIMUM PANEL THICKNESS.
- <sup>3</sup> SEE 221951, BUSHING CUSTOMER DRAWING, FOR RECOMMENDED PANEL CUTOUT FOR 1-227169-3 ONLY.

DO NOT SCALE PRINT. UNLESS SPECIFIED DIMENSIONS IN mm [INCHES] TOLERANCES ON : 2 PLC DEC ± - 3 PLC DEC ± - ANGLES ± -		DR 6-24-94 J. LIPPERT		AMP Incorporated Harrisburg, PA 17105-3608	
MATERIAL -		CHK 6-24-94 M. TOMCHAK			
FINISH -		APPD 6-24-94 J. LIPPERT		NAME	
		APPD 6-24-94 J. LIPPERT		SOLDER JACK, 50Ω, BNC	
		PRODUCT SPEC 108-12079		SIZE	
		APPLICATION SPEC		CAGE CODE	
				G 00779	
				DRAWING NO	
				G-227169	
		WEIGHT -		SCALE	
				4:1	
				SHEET	
				1 OF 1	

THIS DRAWING IS A CONTROLLED DOCUMENT FOR AMP INCORPORATED. IT IS SUBJECT TO CHANGE AND THE CONTROLLING ENGINEERING ORGANIZATION SHOULD BE CONTACTED FOR THE LATEST REVISION.