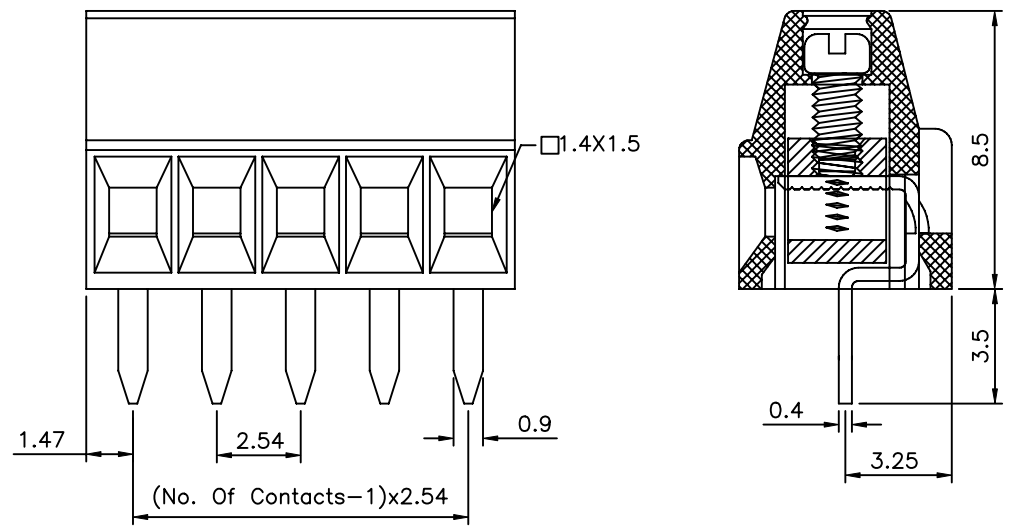


**SPECIFICATION**

Voltage Rating:150V AC  
 Current Rating:6 Amps/Way Max.  
 Contact Resistance:20 Milliohms Max.  
 Insulation Resistance:1000 Megaohms/1000V  
 Operation Temperature:-33°C To +105°C  
 Withstanding Voltage:1000V AC(1Minute)  
 Test Time=60Sec./1PCS  
 Wire Range:18~30AWG  
 Torque:1.0kgf.cm/M1.6  
 Soldering Reliability:  
 Test Temperature=250°C±10°C  
 5 Seconds Max.  
 Contact:Copper Alloy,Nickel Plated  
 Terminal Screw:Steel,Galvanized With Cr3+ Plated  
 Solder Pin:Copper Alloy,Tin Plated  
 Insulator:Polyamide(Glass Filled)  
 UL94V-0,Green  
 RoHS Compliant



**4UCON** 元化興業股份有限公司  
 4UCON TECHNOLOGY INC.

DRAWING No.		APPROVED BY		UNLESS OTHERWISE SPECIFIED TOLERANCES ARE X. ±0.50 .X ±0.30 .XX ±0.20 ANG. ±1°
20086		MEI		
		HZF		
		DRAWING BY		
		XYH		
SCALE	NONE	REV.	A0	UNIT mm

NO.	REV.	REVISIONS	CHK	DATE
△ A0		NEW RELEASE	HZF	07/26/2009