

Specification

- 1.Current Rating : 9Amp Max.
- 2.Dielectric Withstanding Voltage:1500V AC R.M.S
For One Minute
- 3.Insulation Resistance:1000 Megohms Min. At 1000V DC
- 4.Contact Resistance : 30 Milliohms Max.
- 5.Operating Temperature : -40°C To +105°C

Materials :

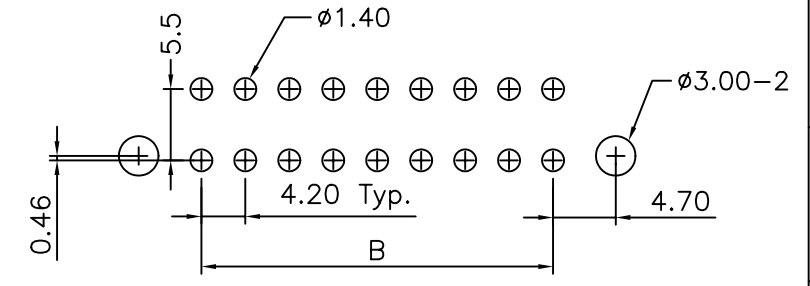
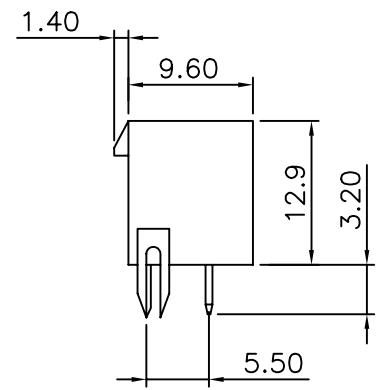
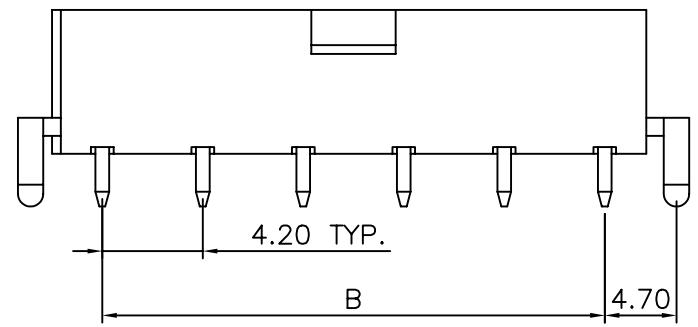
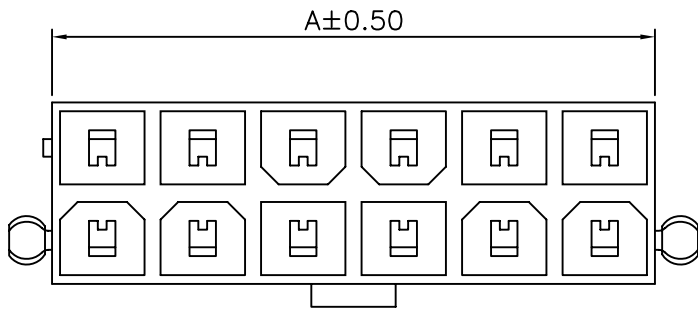
- 1.Housing : Polyamide(UL 94V-0),White
- 2.Terminal : Copper Alloy,Tin Plating

$$A = (\text{Total No. of Pins}/2) \times 4.20 + 1.20$$

$$(\text{Total No. of Pins}/2) \times 1.65 + 0.47$$

$$B = (\text{Total No. of Pins}/2 - 1) \times 4.20$$

$$(\text{Total No. of Pins}/2 - 1) \times 1.65$$



PCB LAYOUT

4UCON 元化興業股份有限公司
4UCON TECHNOLOGY INC.

DRAWING No.
06216

APPROVED BY MEI
CHECKED BY BECKY
DRAWING BY HZF

UNLESS OTHERWISE SPECIFIED TOLERANCES ARE
.X ±0.20
.XX ±0.10
ANG.

SCALE NONE

REV. A0



NO. REV. A0

NEW RELEASE REVISIONS

MEI CHK DATE