

## ◆MHF(RECEPTACLE)

### <Ordering Code>

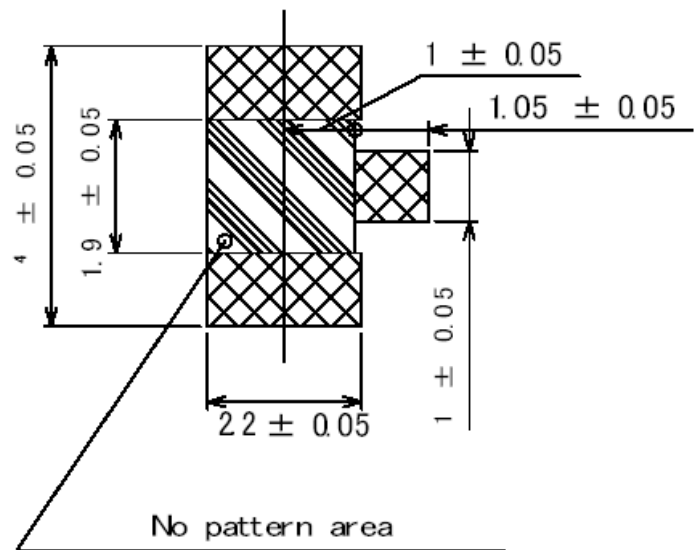
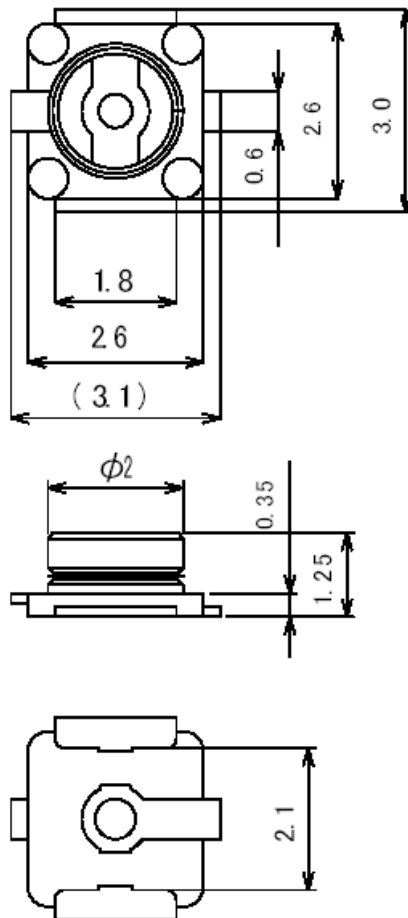
Ground contact : gold plating

**20279-001E-01**

E: Emboss package  
2500pcs/1reel

Ground contact : silver plating

**20314-001E-01**



PCB layout

### <Material>

	Material	Contact Finish	UL
Insulator	LCP	White	UL94V-0
Contact	Brass	Gold plating	—
Ground Contact	Phosphor Bronze	Gold or Silver plating	—