

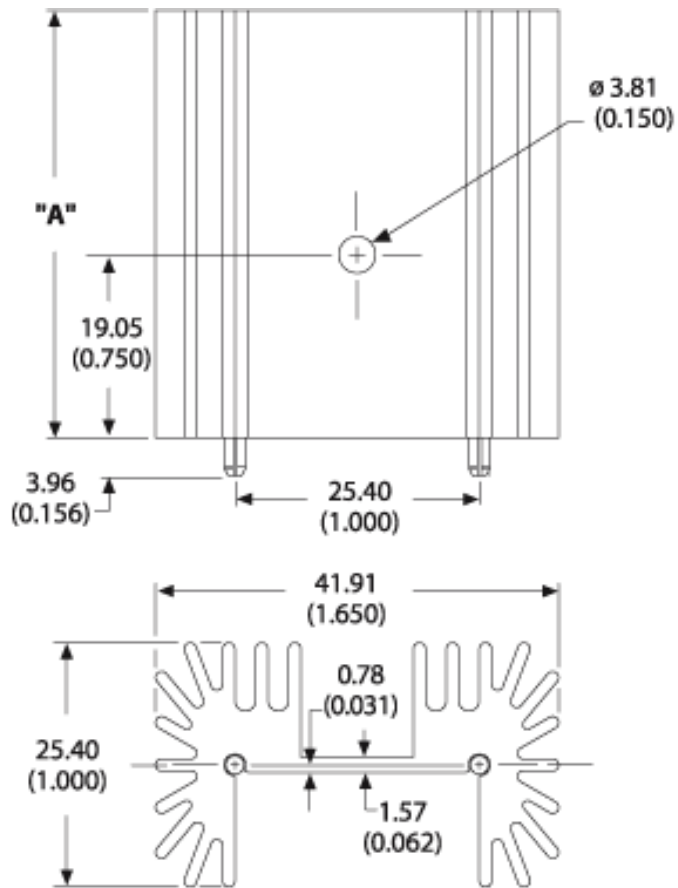
For use with TO-220/TO-218/TO-247/Multiwatt packages

Part Number - 6400BG

RoHS 
Compliant

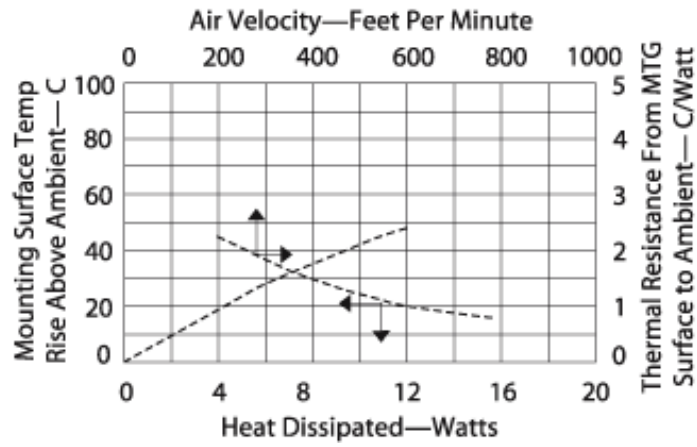


Mechanical Outline Drawing



A Dim 63.50

Thermal Curves



Thermal Resistance	2.70
---------------------------	------

Thermal resistance value is based on a 75°C rise in natural convection

Product Information

Part #	Description	Finish
6400BG	High power extruded heat sink with large radial fins and straight pins	Black Anodize