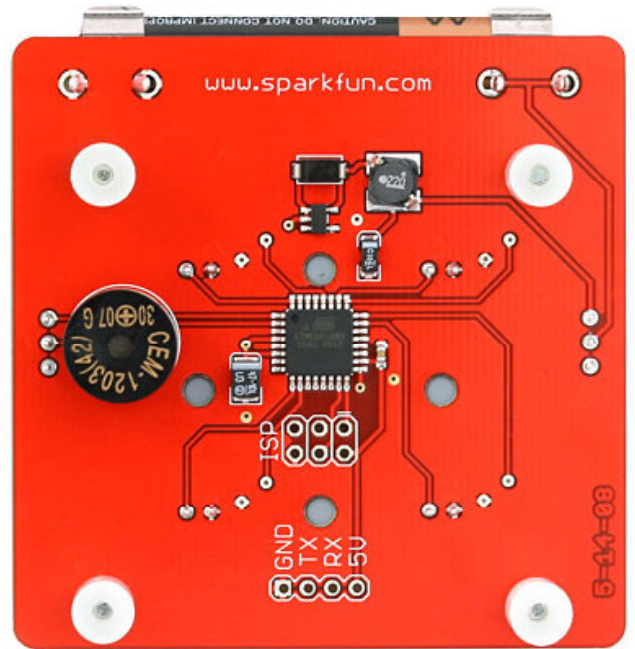
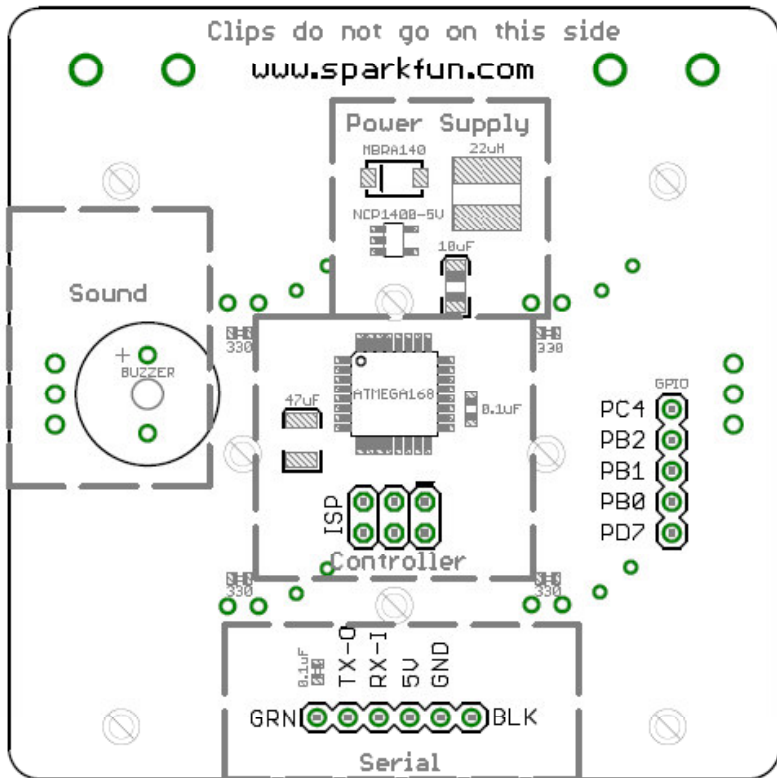


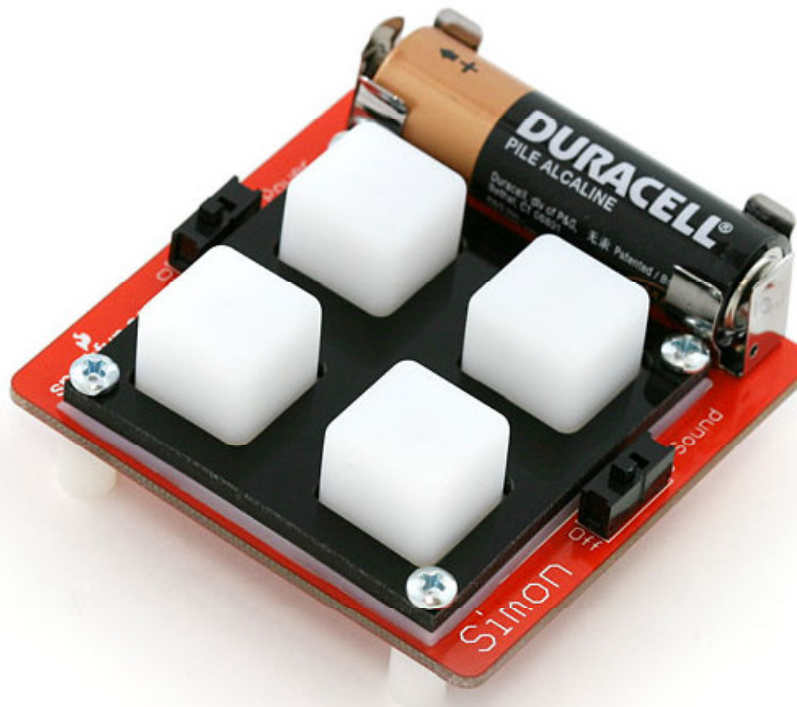
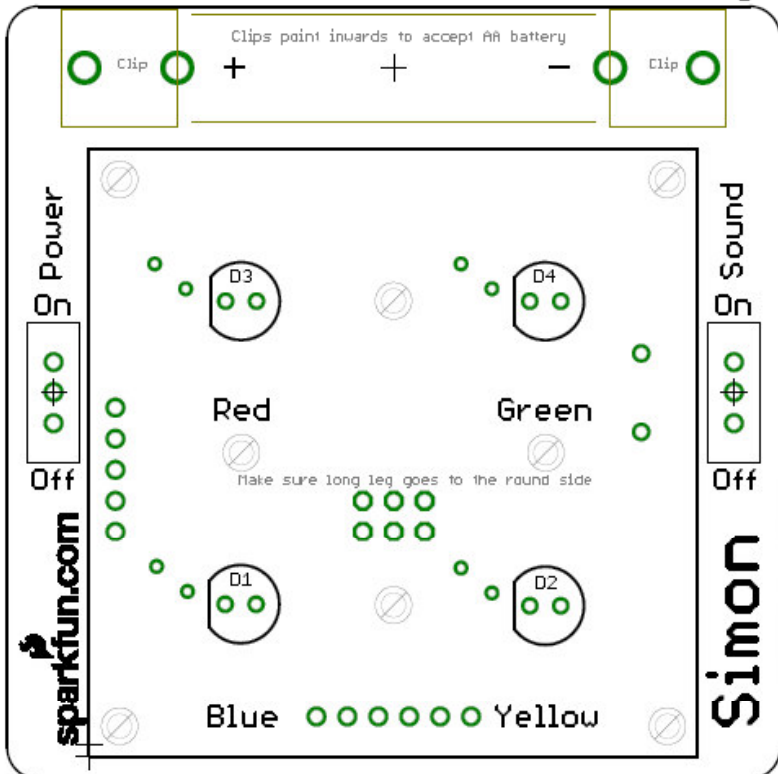
# Bottom Side



Bottom Side Components

All thru hole components make joint on top side

# Top Side



Top Side Components

All thru hole components make joint on bottom...