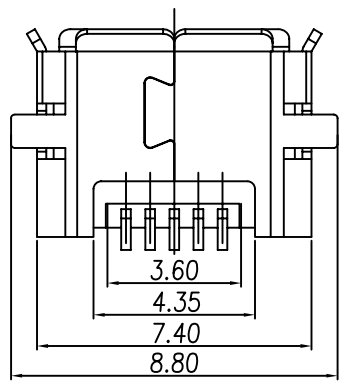
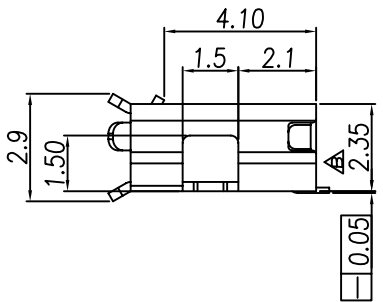
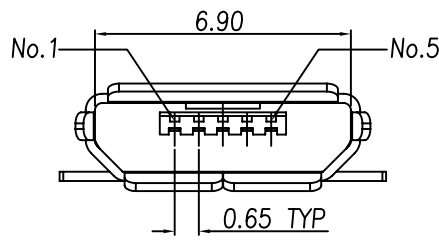


RECOMMEND P.C.B LAYOUT



NOTE:

- 1.ELECTRICAL PROPERTIES:
 - 1-1.CONTACT CURRENT RATING:1.8A(ONLY PIN1,5) AT THE SAME TIME
0.5A AT CONTACT PIN 2,3,4 OTHER 1A(ONLY PIN2,3 4).
 - 1-2.CONTACT RESISTANCE:30m Ohm MAX
 - 1-3.INSULATION RESISTANCE:100M Ohm MIN AT DC 500V.
 - 1-4.DIELECTRIC WITHSTANDING VOLTAGE:AC 100V AC/1 MINUTE 10mA.

2.MATERIAL:

- 2-1.PIN:PHOSPHOR BRONZE.
- 2-2.HOUSING:LCP.
- △ 2-3.SHELL:STAINLESS #304.

MISB-SW-5B-LF
LEADFREE

RoHS Compliant



PART NO. MISB-SW-5B		CHECKED BY CY		TOLERANCES ARE .X±0.2 .XX± .XXX± AWG	DESCRIPTION: MICRO USB 5P(F) B TYPE			
DWG NO. MISB-SW-5B		DRAWING BY			AREA	REVISIONS	HK	DATE
FILE NO.		PROJECTION						
UNIT / mm	SCALE 1:1							

焯倫股份有限公司