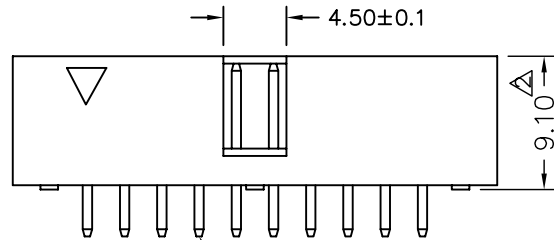
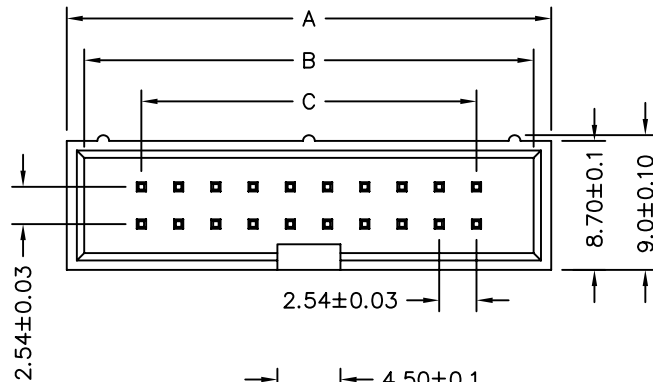
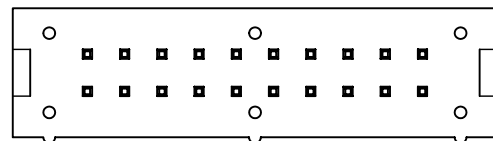
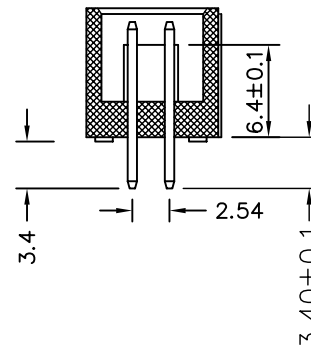


**SPECIFICATIONS**

Current Rating: 1 Amp  
 Insulator resistance: 1000 Megohms /500V DC.  
 Operating Temperature: -55°C To +105°C  
 Voltage: 500V/1 Min.  
 Contact Material: Brass, Gold Plated 1u"  
 Insulator Material: PBT 70%+30% Glass Fiber (UL94V-0)  
 Black



Solder end:  
0.64 Sq.



No. of Contacts	DIMENSIONS		
	A	B	C
10	20.25	18.00	10.16
14	25.40	23.20	15.24
△ 16	27.90	25.70	17.78
20	33.00	30.80	22.86
26	40.60	38.40	30.48
34	50.85	48.70	40.64
40	58.50	56.15	48.26
50	70.00	68.85	60.96
60	84.00	81.75	73.66
64	89.30	86.85	78.74

**4UCON** 元化興業股份有限公司  
 4UCON TECHNOLOGY INC.

DRAWING No.  
03548

APPROVED BY MEI  
 CHECKED BY LHC  
 DRAWING BY HXY

UNLESS OTHERWISE SPECIFIED  
 TOLERANCES ARE  
 .X ±0.38  
 .XX ±0.25  
 ANG.

SCALE NONE

REV. A2

UNIT mm



NO.	REV.	REVISIONS	CHK	DATE
△ A2		Add. Dim.	BECKY	2004/03/18
△ A1		DimA:29.70 → 27.90	BECKY	2004/03/16