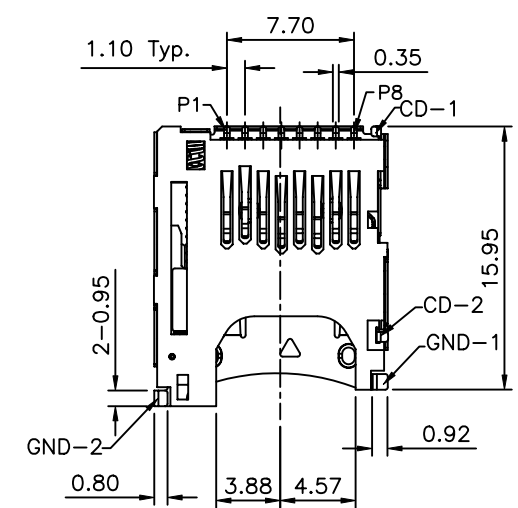
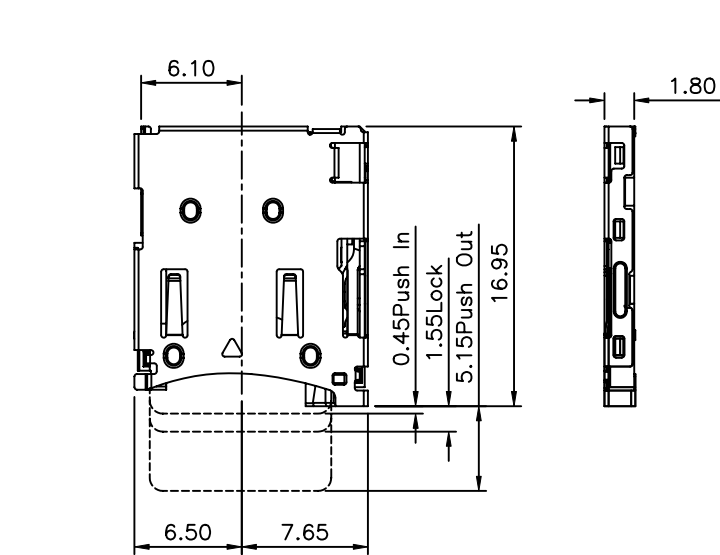


**SPECIFICATION**

1. **General Characteristics:**  
T-Flash Connector 08Pin SMT 90° Standoff=0  
Normal Push Push Type
2. **Material&Finish:**  
Housing:Hi-Temp. Plastic(UL94V-0)  
Shell:Stainless Steel  
Solder Pad:Stainless Steel,Gold Plated  
Terminal:Copper Alloy,Gold Plated On Contact Area  
Tin Plated On Solder Tail
3. **Electrical Characteristics:**  
Current Rating:0.5Amp Max.  
Dielectric Withstanding:500V AC For One Minute  
Contact Resistance:100 Milliohms Max.  
Insulation Resistance:1000 Megaohms Min. At DC 500V
4. **Environmental Characteristics:**  
Operation Temperature:-20°C~+60°C
5. **RoHS Compliant**



Switch State	CD-1/CD-2
Without Card	Open
Card Inserted	Close

Pad No.	Pin Assignment
P1	DAT2
P2	CD/DAT3
P3	CMD
P4	VDD
P5	CLK
P6	VSS2
P7	DAT0
P8	DAT1
CD-1	Card Detect Switch
CD-2	Card Detect Com.
GND-1	Chassis GND
GND-2	Chassis GND

**4UCON** 元化興業股份有限公司  
4UCON TECHNOLOGY INC.

DRAWING No.		APPROVED BY		UNLESS OTHERWISE SPECIFIED TOLERANCES ARE .X ±0.30 .XX ±0.20 .XXX ±0.10 ANG. ±3°
19512		MEI		
		CHECKED BY	HZF	
		DRAWING BY	XYH	
SCALE	NONE	REV.	A0	UNIT mm

NO.	REV.	REVISIONS	CHK	DATE
△ A0		NEW RELEASE	HZF	10/28/2008