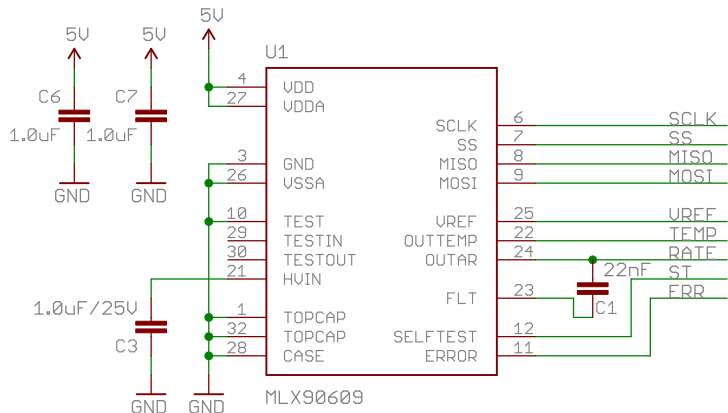
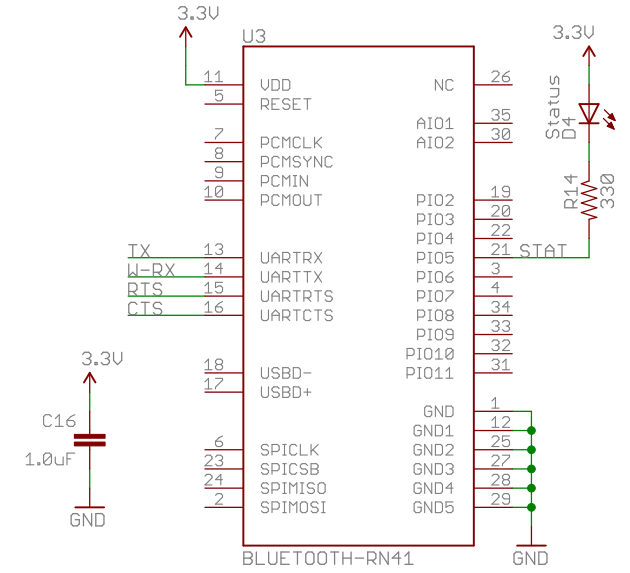
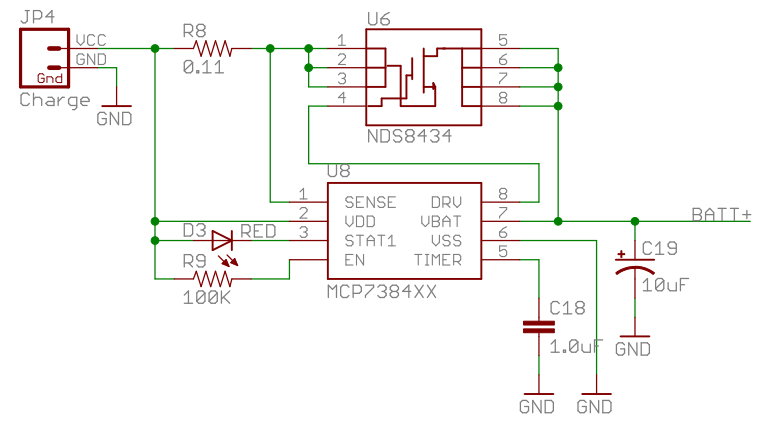
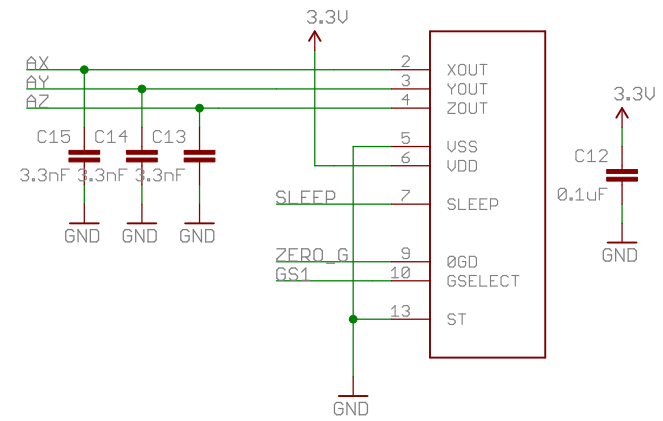


Released under the Creative Commons Attribution Share-Alike 3.0 License
<http://creativecommons.org/licenses/by-sa/3.0>
 Design by: R. Owens

Spark Fun Electronics		⊗ ⊗
TITLE: WiTilt-v40		SFE
Document Number:		REV: 1
Date: 1/18/2011 4:57:45 PM	Sheet: 1/2	



MLX90609
 22nF = 36.4Hz Bandwidth
 10nF = 80Hz Bandwidth



TITLE: WiTilt-v40

Document Number: _____ REV: _____

Date: 1/18/2011 4:57:45 PM Sheet: 2/2