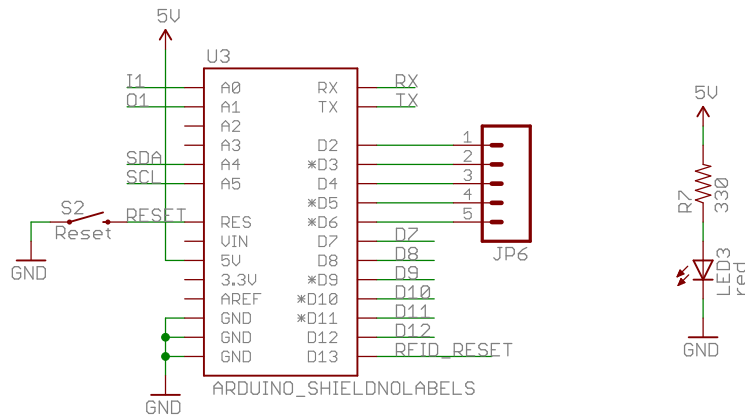
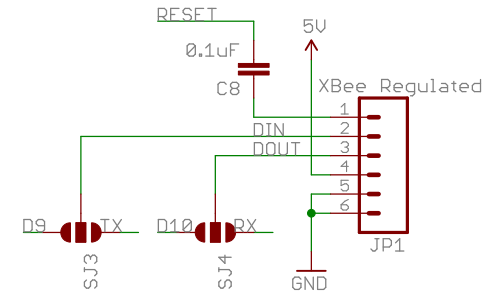


ARDUINO

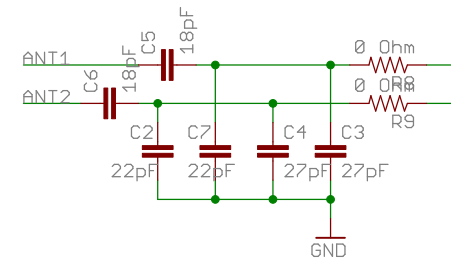
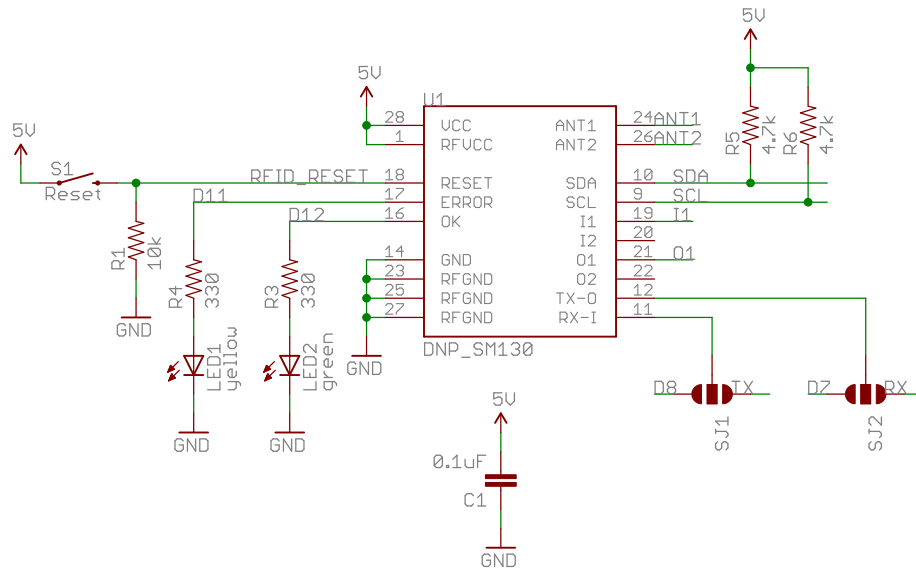


XBee



RF

RFID



○ ○ ○ ○ ○		
⊗	⊗	SFE
		SFE
		SFE

TITLE: RFID_Eval_13.56MHz-v13

Document Number:

REV:

Date: not saved!

Sheet: 1/1