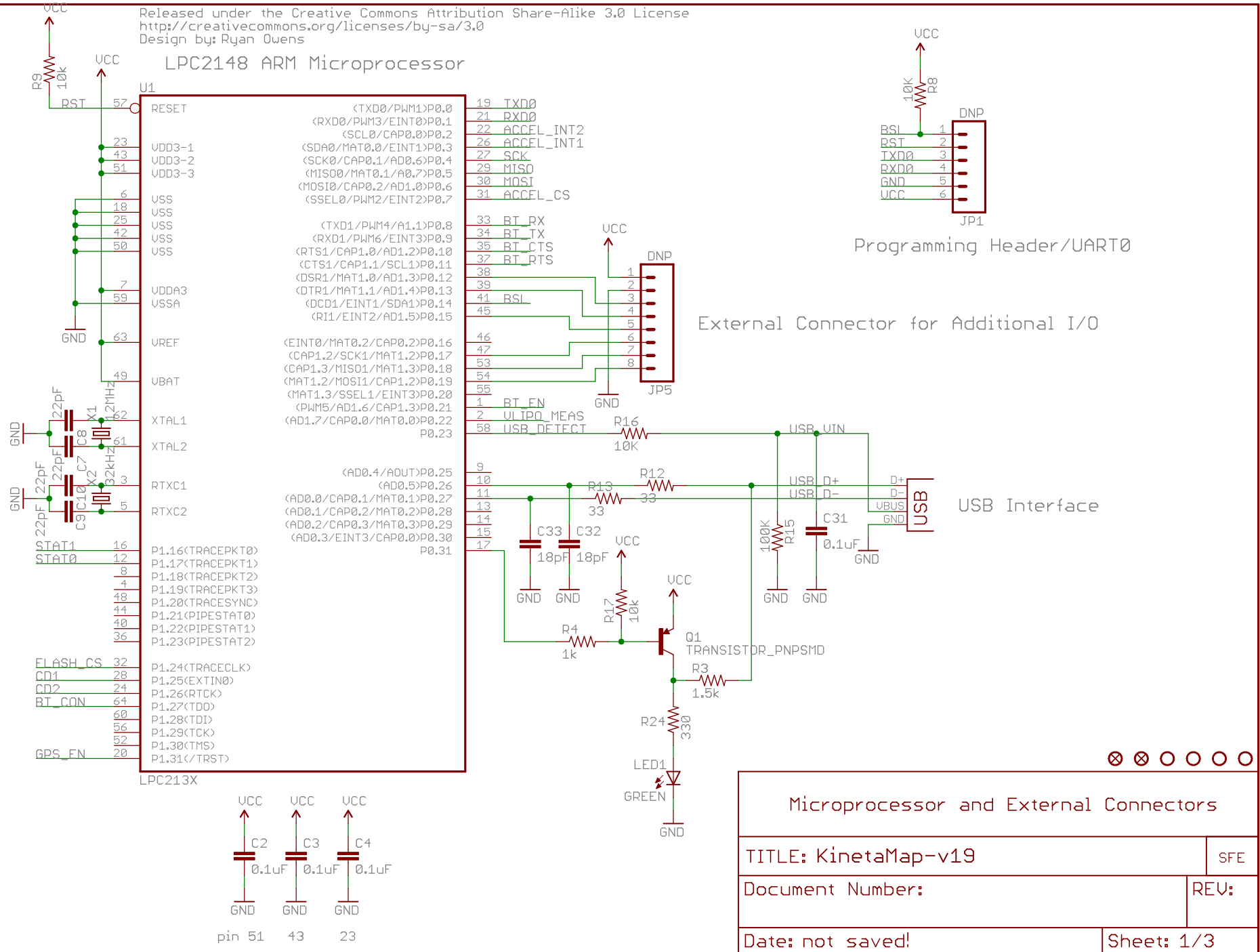


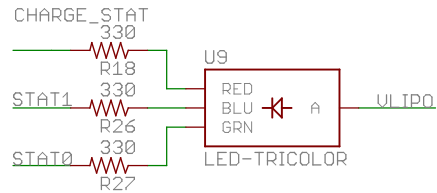
LPC2148 ARM Microprocessor



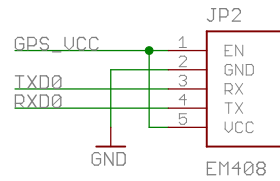
Microprocessor and External Connectors	
TITLE: KinetaMap-v19	SFE
Document Number:	REV:
Date: not saved!	Sheet: 1/3

Peripherals

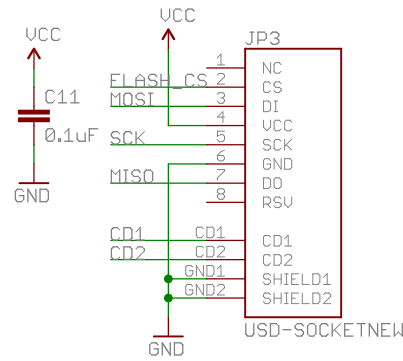
Indicator LEDs



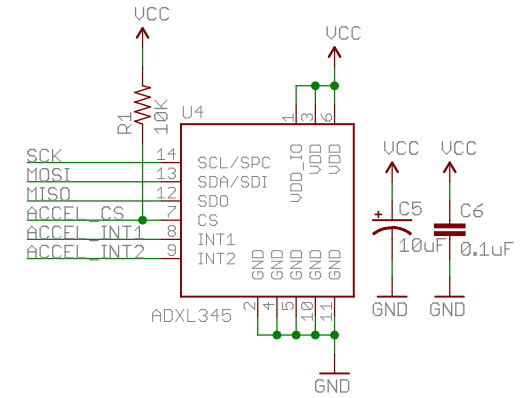
GPS



SD CARD

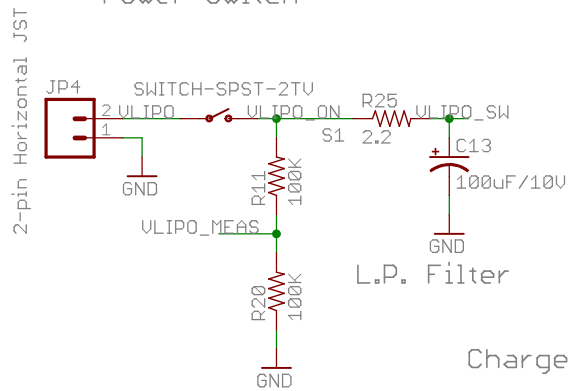


Accelerometer

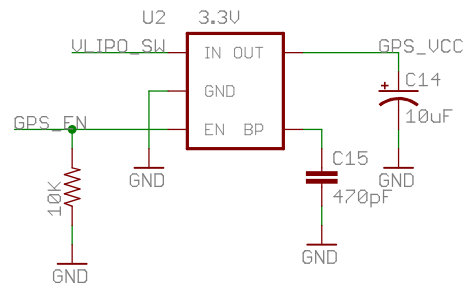


Power

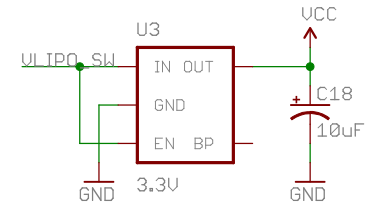
Power Switch



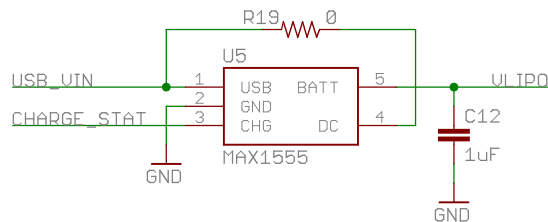
GPS Regulator



Main Power Regulator



Charge Circuit



Power and Peripherals

TITLE: KinetaMap-v19

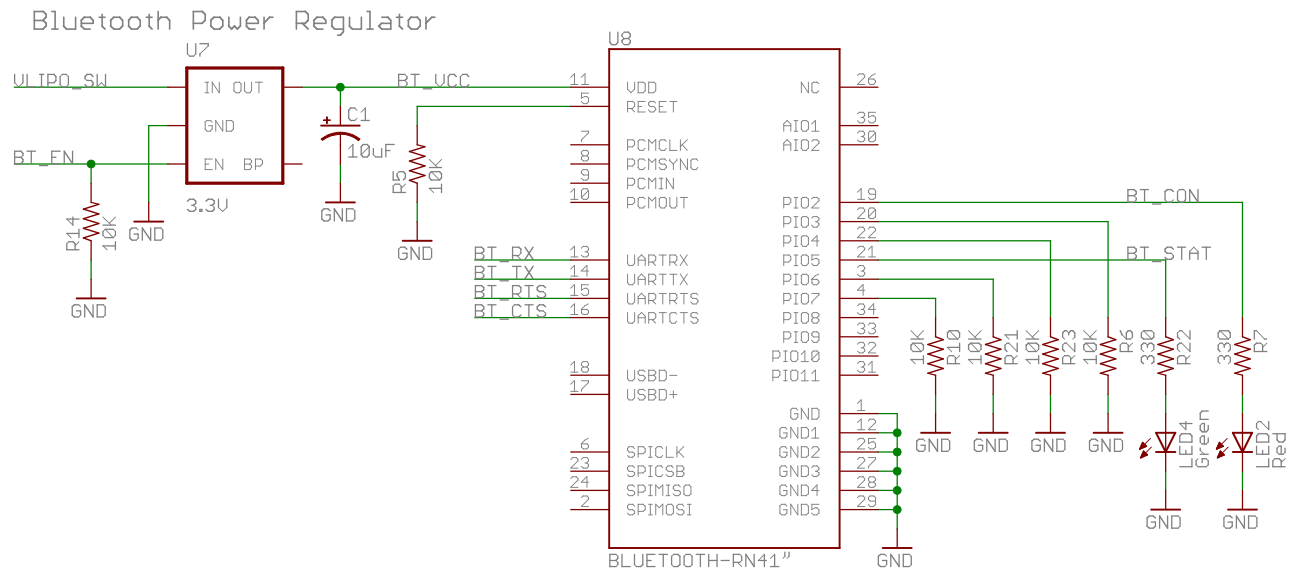
Document Number:

REV:

Date: not saved!

Sheet: 2/3

RN41 Bluetooth Module



Bluetooth Interface

TITLE: KinetaMap-v19

Document Number:

REV:

Date: not saved!

Sheet: 3/3