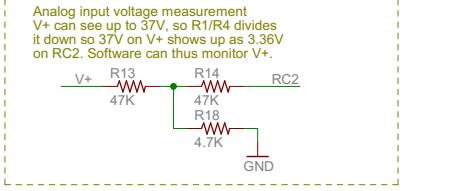
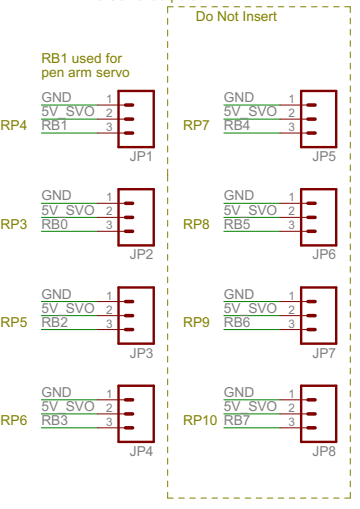
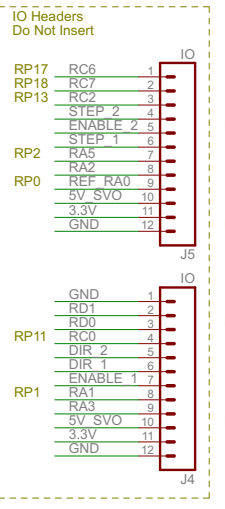
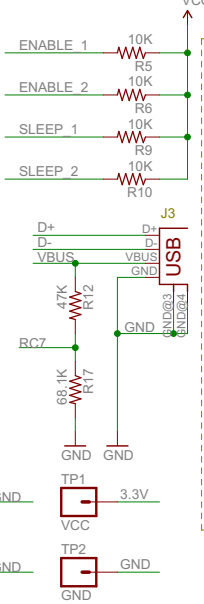
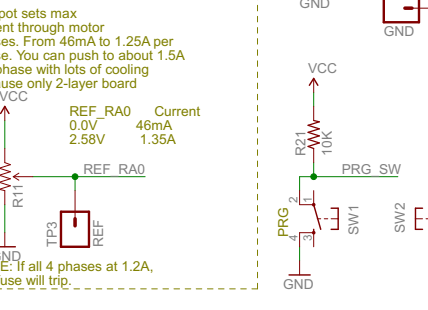
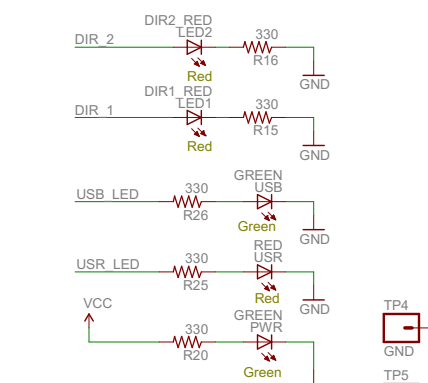
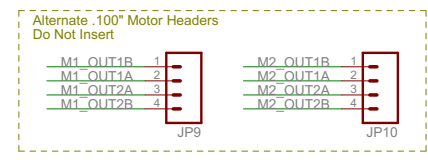
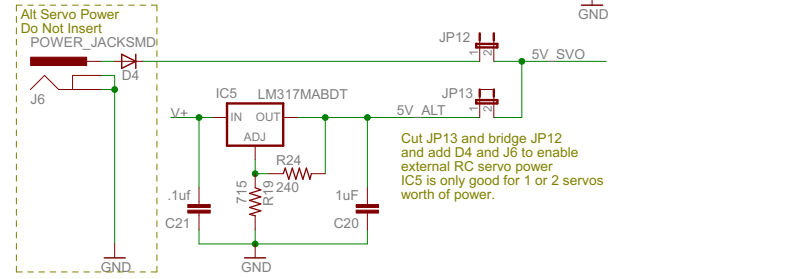
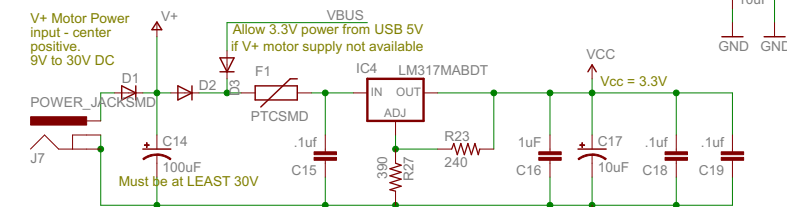
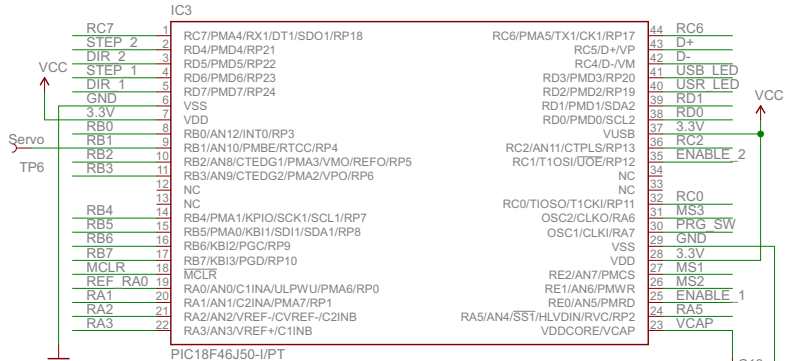
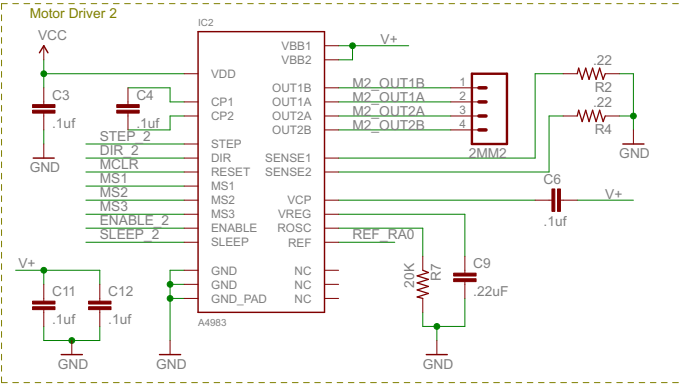
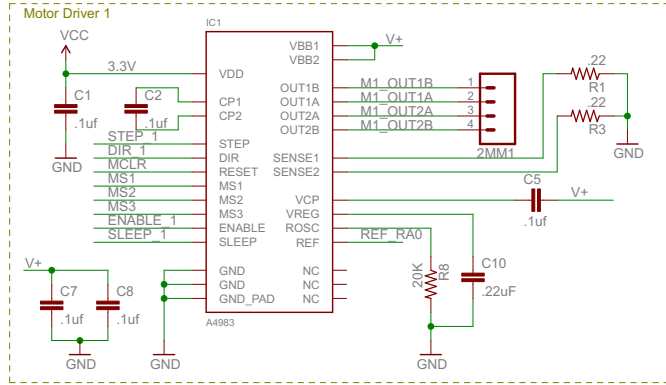


EiBotBoard (EBB)

licenced under Creative Commons v3.0 Attribution licence
Version 2.1, 10/27/2010
by Brian Schmalz of Schmalz Haus

www.schmalzhaus.com/EBB

Change List
v1.2 10/27/2010
Switched to A4988 drivers
Added from RC servo connectors
Ganged some logic I/O between drivers
Switched pot and power caps to GMT
All motor I/O now on left side
v1.3 01/18/2010
All STEP/DIR now on PortD
5V moved away from power connector
Auto power from USB and power jack
Removed fixed resistors on VREG circuit
Fixed bug with RA0R1
Added pull-ups on enable for bootloading
CPU can monitor input voltage now
v1.4 03/05/2010
Removed solenoid circuit
Pulled motor connectors to top edge
Added step/invertible nets to connectors
Added 150° optional motor headers
v1.5 04/12/2010
Added all RC servo power input
Added 5V regulator for RC servo power
06/02/2010
SICV
Changed D1 to bigger diode
08/02/2010
Changed RC7 to higher voltage (larger footprint)
SIF: Changed RC7 to higher voltage (larger footprint)
SIF: Moved some silk screen to avoid vias and connectors
08/03/2010
SIF: Added test point, some headers now locking
v2.0 09/25/2010
Changed footprint for D1 to bigger diode
Fixed motor silk screen errors from v1.5
v2.1 10/27/2010
Moved R10 to avoid screw head
J1/J2 now have larger holes (more headers now fit)
Merged SpanFun1 changes from v1.5 to now into this file



	Title: EiBotBoard-v21	
	Version: 11/22/2010 12:22:39 PM	
	Drawn By:	
	1/1	