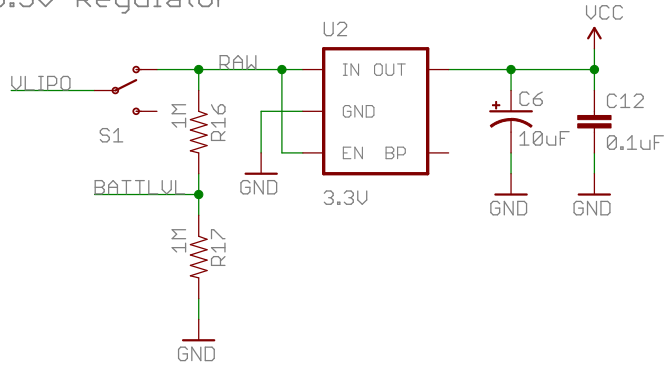
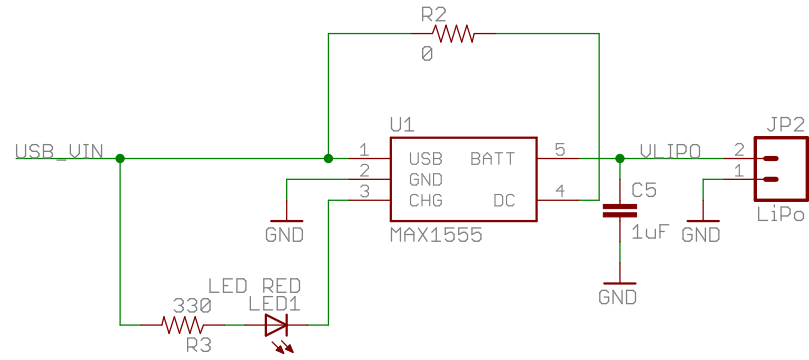


TITLE: Logomatic-v23		SFE
Document Number:		REV:
Date: 10/16/2008 6:26:05 PM		Sheet: 1/2

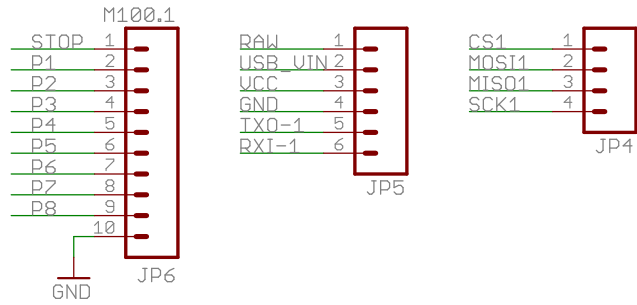
3.3V Regulator



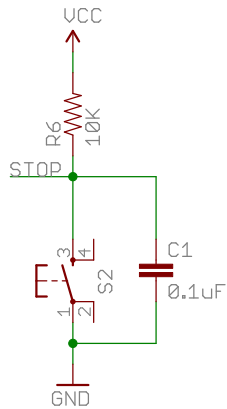
Charge Circuit



Breakouts



Stop Function



TITLE: Logomatic-v23

Document Number:

REV:

Date: 10/16/2008 6:26:05 PM

Sheet: 2/2