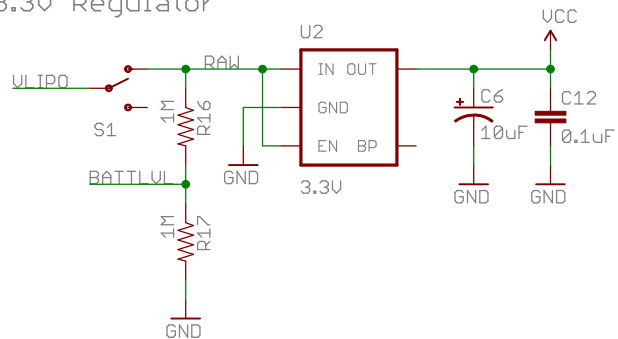


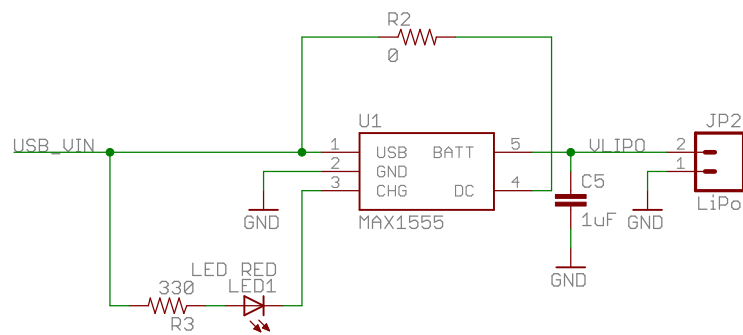
Released under the Creative Commons Attribution Share-Alike 3.0 License
<http://creativecommons.org/licenses/by-sa/3.0>
 Design by:

TITLE: Logomatic-v24		SFE
Document Number:		REV:
Date: 1/27/2009 2:29:38 AM	Sheet: 1/2	

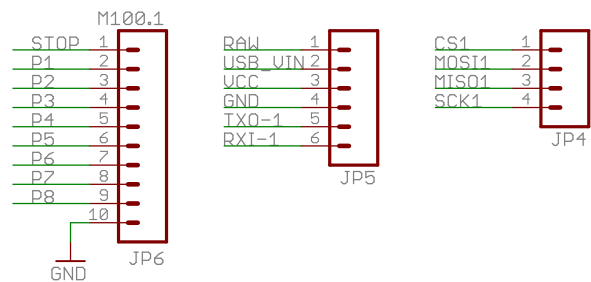
3.3V Regulator



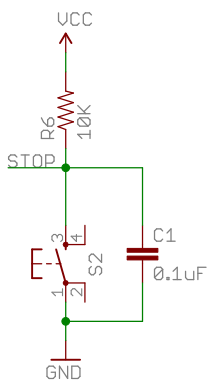
Charge Circuit



Breakouts



Stop Function



TITLE: Logomatic-v24

Document Number:

REV:

Date: 1/27/2009 2:29:38 AM

Sheet: 2/2