



Tolerances,
Unless noted-
0.0 +/- 0.01
0.00 +/- 0.003
0.000 +/- 0.0005

SFE_BOX

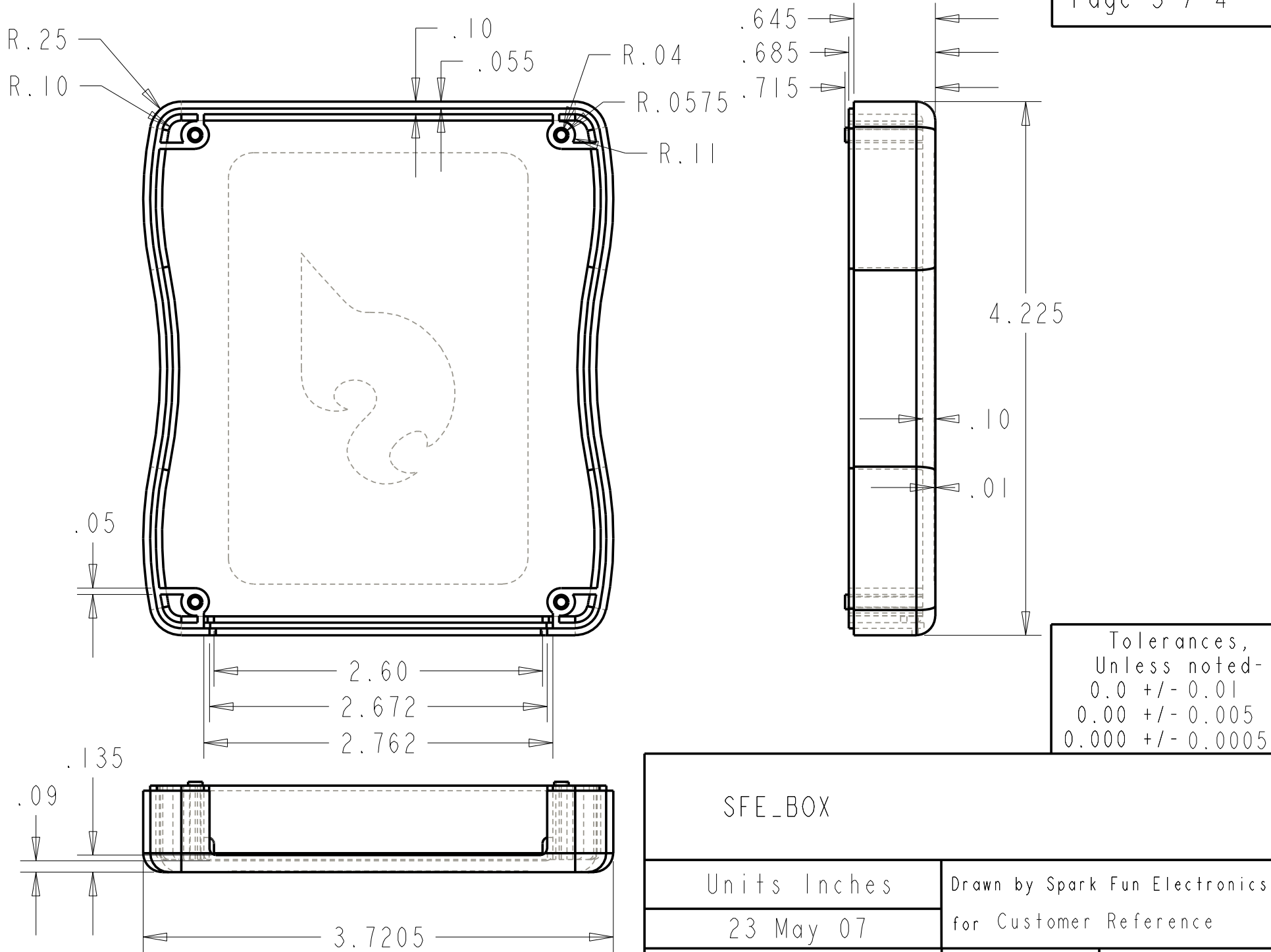
Units Inches

15 Feb 08

Drawn by Spark Fun Electronics

for Customer Reference

Drafter CH Scale 1.00



SFE_BOX

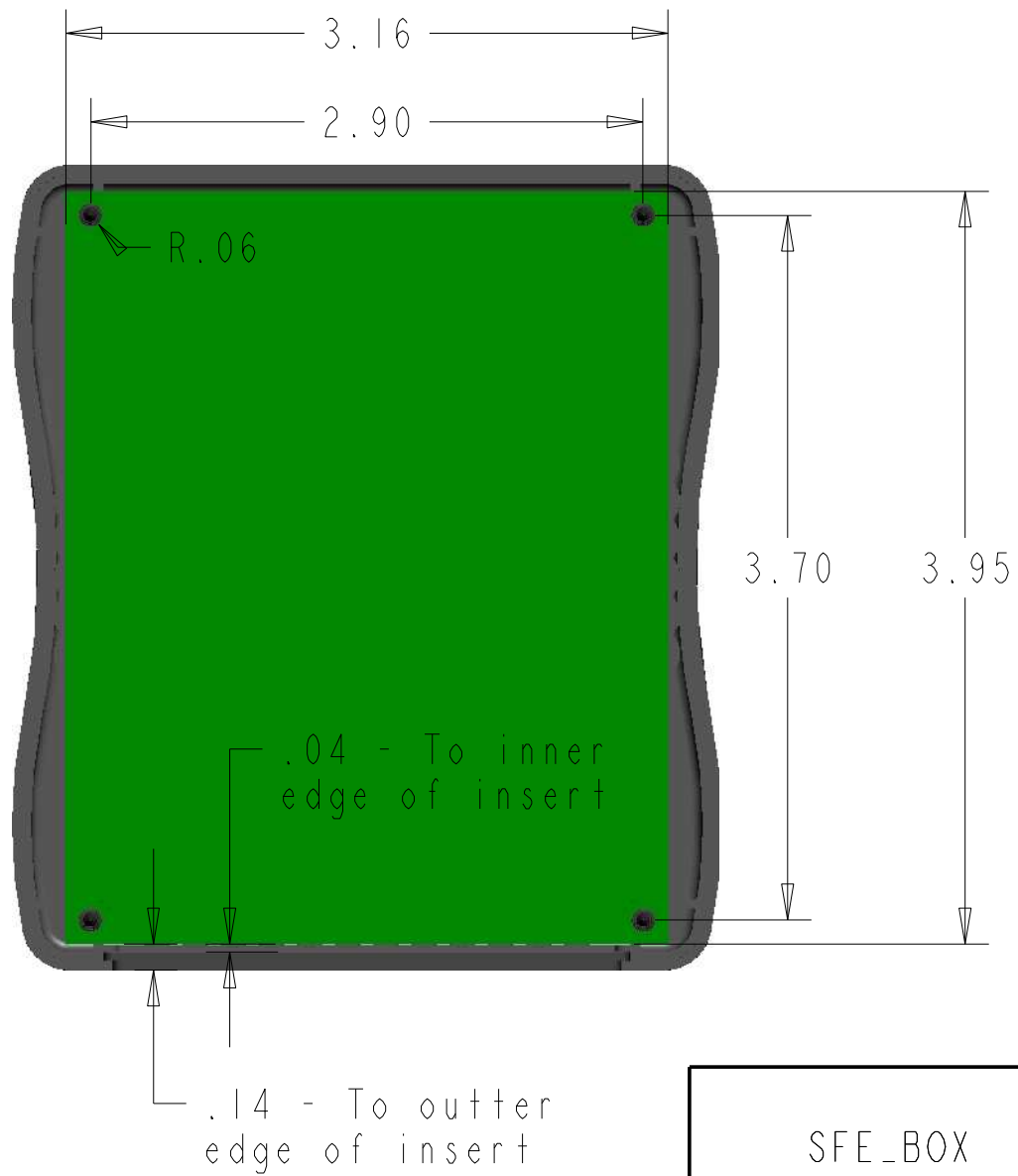
Units Inches

23 May 07

Drawn by Spark Fun Electronics

for Customer Reference

Drafter CH Scale 1.00



Tolerances,
Unless noted-
0.0 +/- 0.01
0.00 +/- 0.003
0.000 +/- 0.0005

SFE_BOX	
Units Inches	Drawn by Spark Fun Electronics for Customer Reference
15 Feb 08	
	Drafter CH Scale 1.00