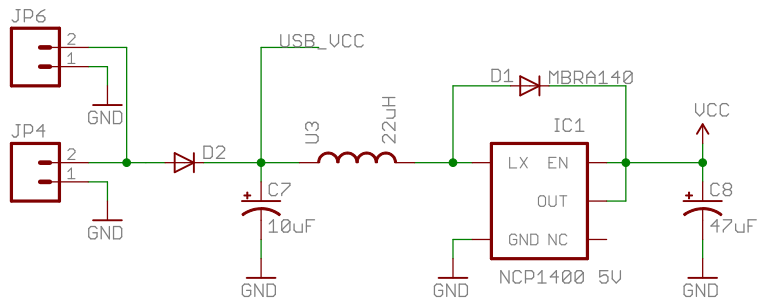
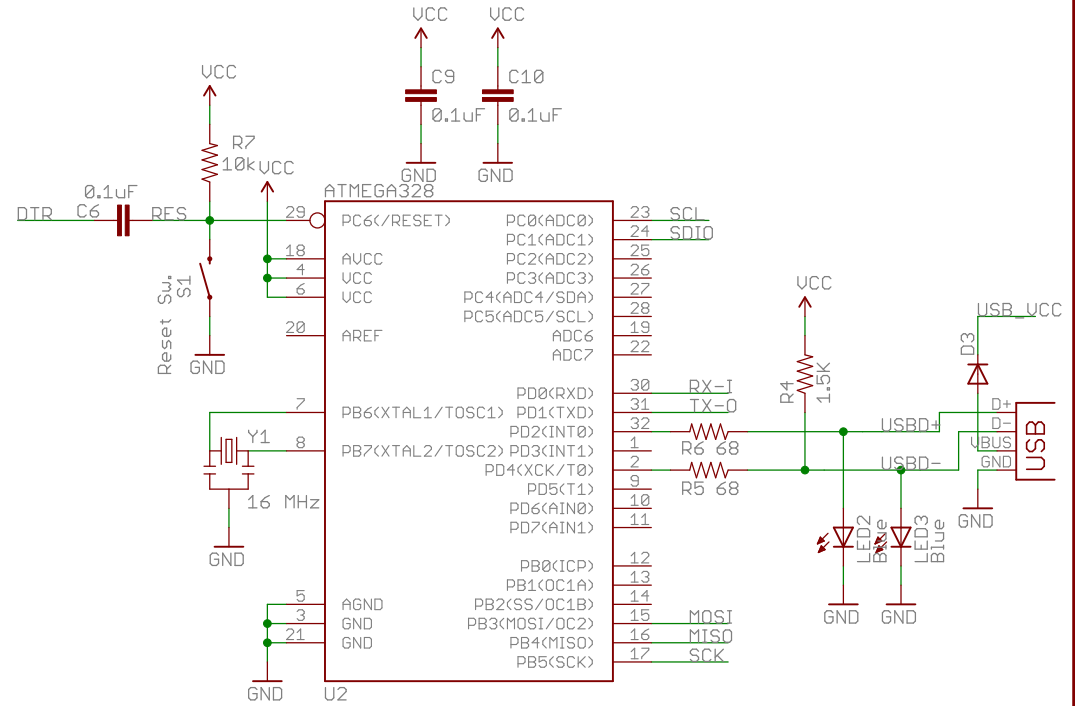


Power

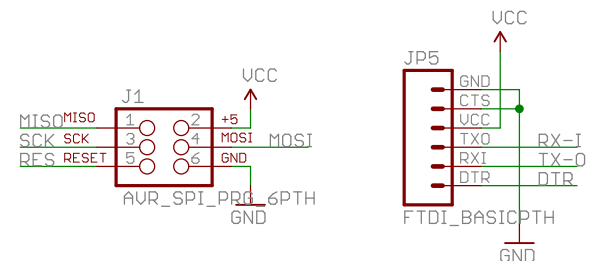
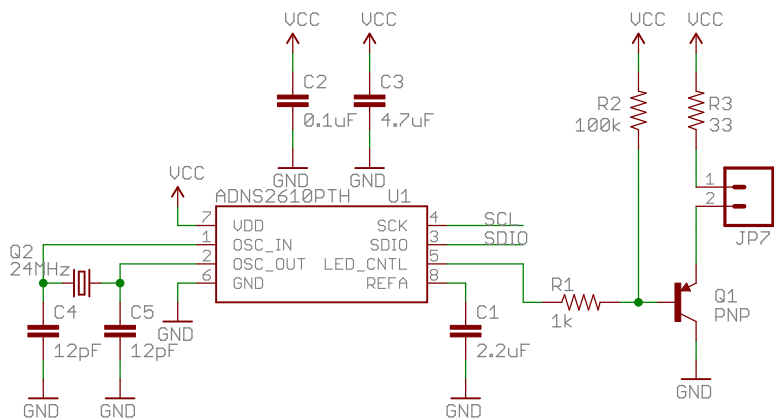


Microcontroller



Released under the Creative Commons Attribution Share-Alike 3.0 License
<http://creativecommons.org/licenses/by-sa/3.0>
 Design by: R. Owens

Mouse Sensor



SFE	⊗
TITLE: adns2620 eval board v12	
Document Number:	REV:
Date: 11/10/2010 9:25:18 AM	Sheet: 1/1