



### SAW RESONATOR TRANSMITTER MODULE

#### 315/434 MHz ASK TRANSMITTER

#### Description

@433.92/315MHz Remote Keyless-Entry Transmitter.

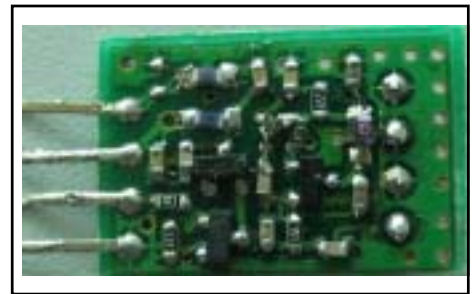
@SAW RESONATOR

@ASK

The MO-SAWR is an ASK transmitter module .

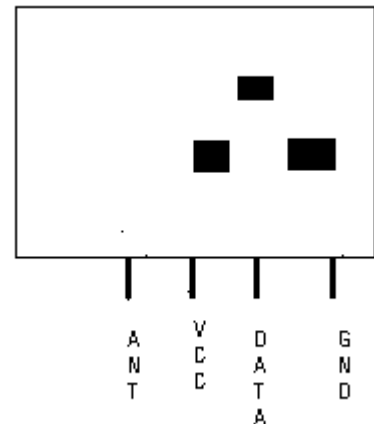
The result is excellent performance in a simple-to-use .

The MO-SAWR is designed specifically for remote-control , wireless mouse and car alarm system operating at 433.92 in the USA under FCC Part 15 regulation.



#### Applications

- Car security system
- Remote keyless entry
- Garage door controller
- Home security
- Wireless mouse
- Automation system



#### Product Identification

<b>315MHz</b>	<b>MO-SAWR-AS315M</b>
<b>433.92MHz</b>	<b>MO-SAWR-AS434M</b>

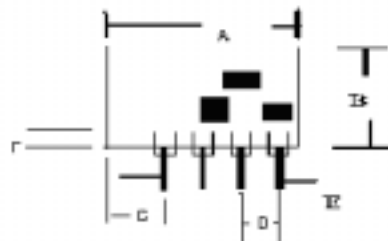
**Absolute Maximum Ratings**

Parameter	Rating	Units
Supply Voltage	1.5-12.0	V DC
Operating Temperature	-20 to +85	

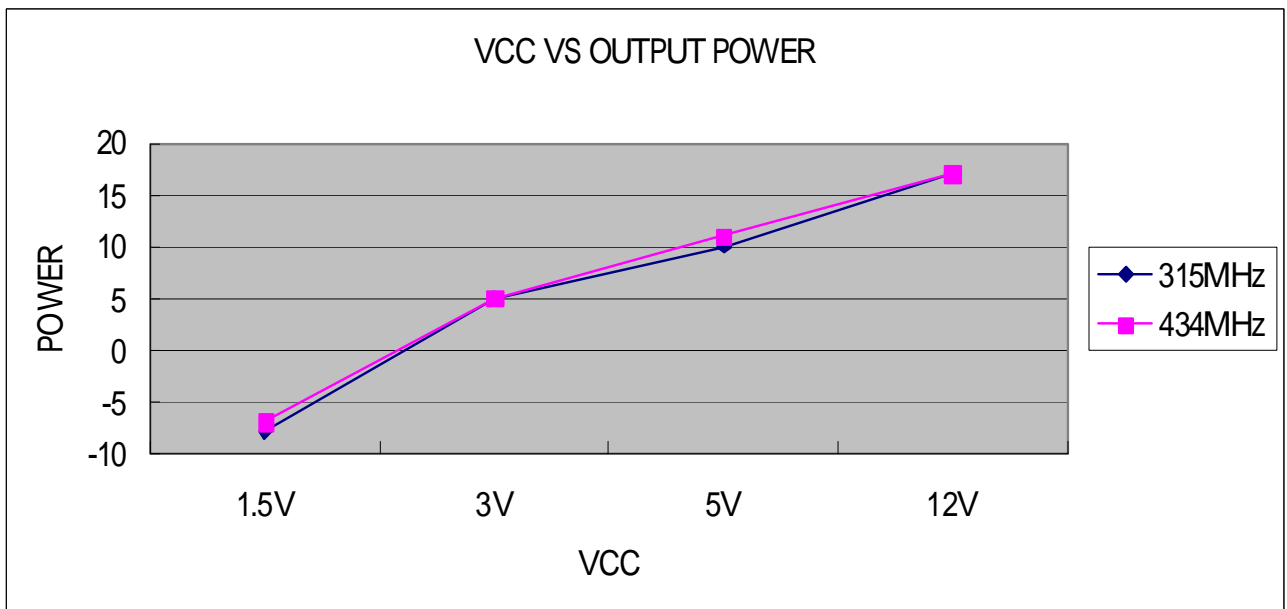
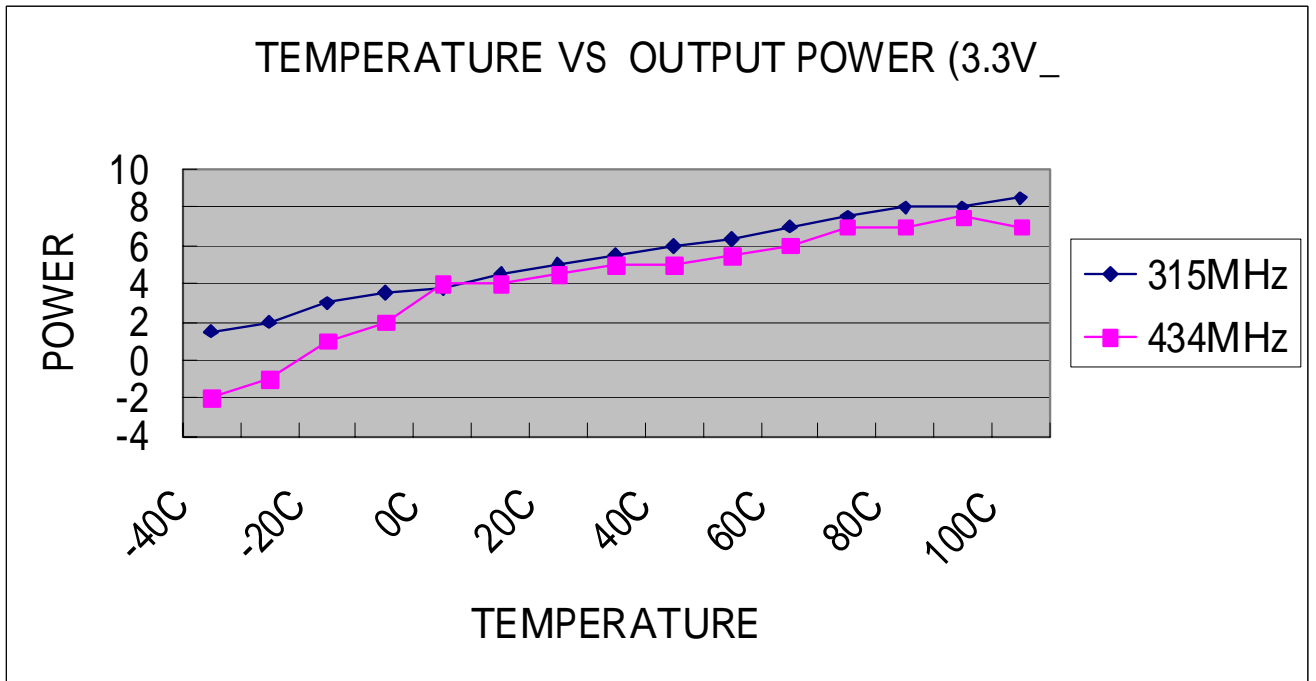
**Absolute Maximum Ratings**

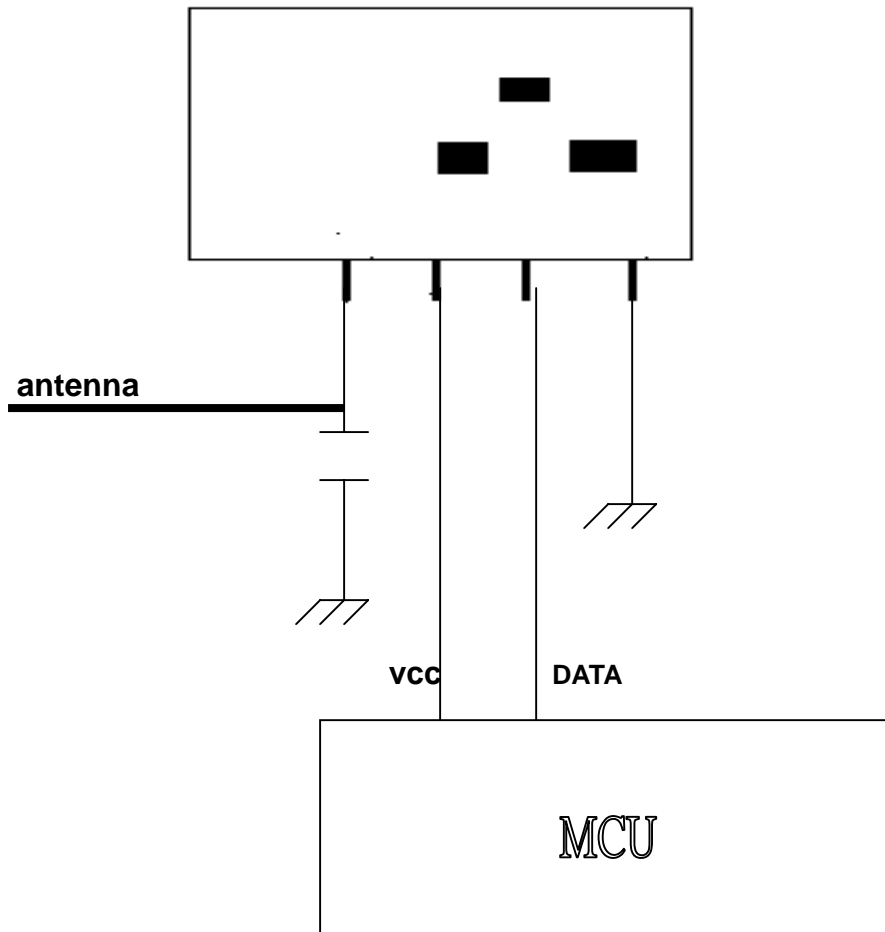
Parameter	Symbol	Condition	Specification				Unit	
			Min.	Typical		Max.		
Operation Voltage				1.5	3	5	12	V
Output power	Psens	DATA 5V 1Kbps Data Rate	315MHz	-11.8	4	10	16	dBm
			Supply current	3.1	11	20	57	mA
			434MHz	-8.5	4	10	16	dBm
			Supply current	2.9	11	22	59	mA
Tune on Time	Ton	Data start out by Vcc turn on	10	20			ms	
Data Rate			200	1k		10k	bps	
Input duty		Vcc=5V; 1kbps data rate	40			60	%	

**Pin Dimension**



Dimensions	Millimeters	Dimensions	Millimeters
A	14 + 0.25mm	F	2.50 + 0.15mm
B	21 + 0.25mm	G	3.50 + 0.15mm
C	4.1 + 0.30mm	H	5.5mm
D	2.54 + 0.05mm	I	0.32 + 0.05mm
E	0.65 + 0.05mm		



**Appication****Mark:**

1. Antenna length about :23cm for 315MHz  
17cm for 434mHz
2. Receiver range about 100m with MO-R3310A-A315M ( or MO-RX3310A-A315M) Module  
About150m with MO-RX3400-A315M( or MO-RX3400-A434M) module  
(Tested in open space)